

# 0.50mm HORIZONTAL SMT ZIF CONNECTOR

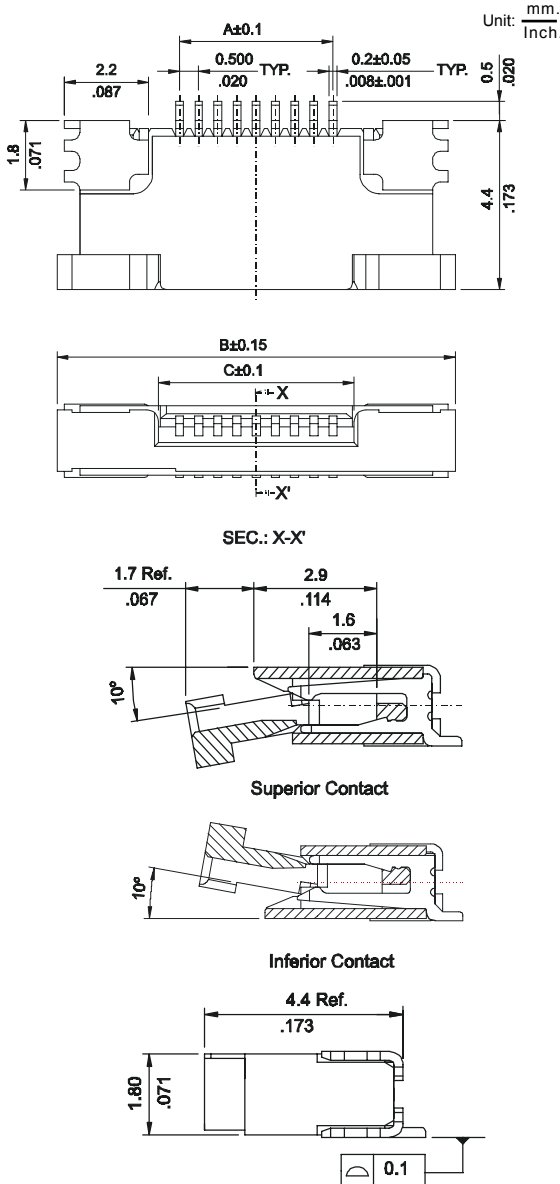


## 0511 SERIES. 0.50mm(0.020"). For PCB Solder. Downside and Upside Type

### Features

- Available in 6 through 50 circuits
- Insulator Material: High temperature plastic UL 94V-0
- Tin-lead plated Phosphor Bronze Vertical Type
- Actuator designed easy for FFC / FPC installation
- With fixed metal tabs to secure connector in place
- Available in Tube or Reel packing

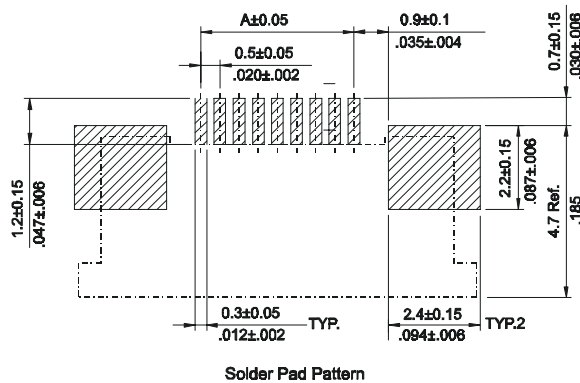
### Dimensional Information



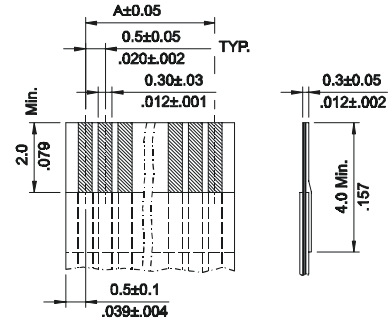
### Ordering and Dimensional Information

| Circuit Size | Part Number |               | Dimensions   |              |              |
|--------------|-------------|---------------|--------------|--------------|--------------|
|              | Upside Con. | Downside Con. | A            | B            | C            |
| 06           | 0511-T061   | 0511-T062     | 2,50(0,098)  | 8,90(0,350)  | 6,10(0,240)  |
| 07           | 0511-T071   | 0511-T072     | 3,00(0,118)  | 9,40(0,370)  | 7,10(0,280)  |
| 08           | 0511-T081   | 0511-T082     | 3,50(0,138)  | 9,90(0,390)  | 8,10(0,319)  |
| 09           | 0511-T091   | 0511-T092     | 4,00(0,157)  | 10,40(0,409) | 9,10(0,358)  |
| 10           | 0511-T101   | 0511-T102     | 4,50(0,177)  | 10,90(0,429) | 10,10(0,398) |
| 11           | 0511-T111   | 0511-T112     | 5,00(0,197)  | 11,40(0,449) | 11,10(0,437) |
| 12           | 0511-T121   | 0511-T122     | 5,50(0,217)  | 11,90(0,469) | 12,10(0,476) |
| 13           | 0511-T131   | 0511-T132     | 6,00(0,236)  | 12,40(0,488) | 13,10(0,516) |
| 14           | 0511-T141   | 0511-T142     | 6,50(0,256)  | 12,90(0,508) | 14,10(0,555) |
| 15           | 0511-T151   | 0511-T152     | 7,00(0,276)  | 13,40(0,528) | 15,10(0,594) |
| 16           | 0511-T161   | 0511-T162     | 7,50(0,295)  | 13,90(0,547) | 16,10(0,634) |
| 17           | 0511-T171   | 0511-T172     | 8,00(0,315)  | 14,40(0,567) | 17,10(0,673) |
| 18           | 0511-T181   | 0511-T182     | 8,50(0,335)  | 14,90(0,587) | 18,10(0,713) |
| 19           | 0511-T191   | 0511-T192     | 9,00(0,354)  | 15,40(0,606) | 19,10(0,752) |
| 20           | 0511-T201   | 0511-T202     | 9,50(0,374)  | 15,90(0,626) | 20,10(0,791) |
| 21           | 0511-T211   | 0511-T212     | 10,00(0,394) | 16,40(0,646) | 21,10(0,831) |
| 22           | 0511-T221   | 0511-T222     | 10,50(0,413) | 16,90(0,665) | 22,10(0,870) |
| 23           | 0511-T231   | 0511-T232     | 11,00(0,433) | 17,40(0,685) | 23,10(0,909) |
| 24           | 0511-T241   | 0511-T242     | 11,50(0,453) | 17,90(0,705) | 24,10(0,949) |
| 25           | 0511-T251   | 0511-T252     | 12,00(0,472) | 18,40(0,724) | 25,10(0,988) |
| 26           | 0511-T261   | 0511-T262     | 12,50(0,492) | 18,90(0,744) | 26,10(1,028) |
| 27           | 0511-T271   | 0511-T272     | 13,00(0,512) | 19,40(0,764) | 27,10(1,067) |
| 28           | 0511-T281   | 0511-T282     | 13,50(0,531) | 19,90(0,783) | 28,10(1,106) |
| 29           | 0511-T291   | 0511-T292     | 14,00(0,551) | 20,40(0,803) | 29,10(1,146) |
| 30           | 0511-T301   | 0511-T302     | 14,50(0,571) | 20,90(0,823) | 30,10(1,185) |
| 31           | 0511-T311   | 0511-T312     | 15,00(0,591) | 21,40(0,843) | 31,10(1,224) |
| 32           | 0511-T321   | 0511-T322     | 15,50(0,610) | 21,90(0,862) | 32,10(1,264) |
| 33           | 0511-T331   | 0511-T332     | 16,00(0,630) | 22,40(0,882) | 33,10(1,303) |
| 34           | 0511-T341   | 0511-T342     | 16,50(0,650) | 22,90(0,902) | 34,10(1,343) |
| 35           | 0511-T351   | 0511-T352     | 17,00(0,669) | 23,40(0,921) | 35,10(1,382) |
| 36           | 0511-T361   | 0511-T362     | 17,50(0,689) | 23,90(0,941) | 36,10(1,421) |
| 37           | 0511-T371   | 0511-T372     | 18,00(0,709) | 24,40(0,961) | 37,10(1,461) |
| 38           | 0511-T381   | 0511-T382     | 18,50(0,728) | 24,90(0,980) | 38,10(1,500) |
| 39           | 0511-T391   | 0511-T392     | 19,00(0,748) | 25,40(1,000) | 39,10(1,539) |
| 40           | 0511-T401   | 0511-T402     | 19,50(0,768) | 25,90(1,020) | 40,10(1,579) |
| 41           | 0511-T411   | 0511-T412     | 20,00(0,787) | 26,40(1,039) | 41,10(1,618) |
| 42           | 0511-T421   | 0511-T422     | 20,50(0,807) | 26,90(1,059) | 42,10(1,657) |
| 43           | 0511-T431   | 0511-T432     | 21,00(0,827) | 27,40(1,079) | 43,10(1,697) |
| 44           | 0511-T441   | 0511-T442     | 21,50(0,846) | 27,90(1,098) | 44,10(1,736) |
| 45           | 0511-T451   | 0511-T452     | 22,00(0,866) | 28,40(1,118) | 45,10(1,776) |
| 46           | 0511-T461   | 0511-T462     | 22,50(0,886) | 28,90(1,138) | 46,10(1,815) |
| 47           | 0511-T471   | 0511-T472     | 23,00(0,906) | 29,40(1,157) | 47,10(1,854) |
| 48           | 0511-T481   | 0511-T482     | 23,50(0,925) | 29,90(1,177) | 48,10(1,894) |
| 49           | 0511-T491   | 0511-T492     | 24,00(0,945) | 30,40(1,197) | 49,10(1,933) |
| 50           | 0511-T501   | 0511-T502     | 24,50(0,965) | 30,90(1,217) | 50,10(1,972) |

**Notice:** In case of connectors in reel (Automatic mounting), add an R at the end of code.



Solder Pad Pattern



Accommodated FFC / FPC

# 0.50mm HORIZONTAL SMT ZIF

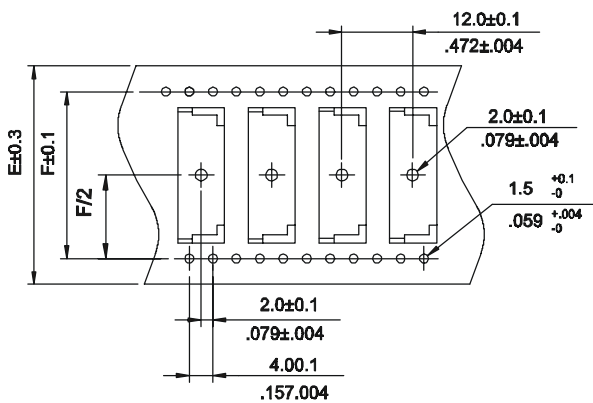
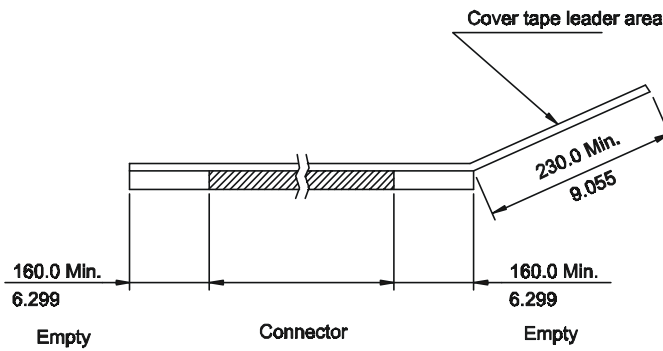
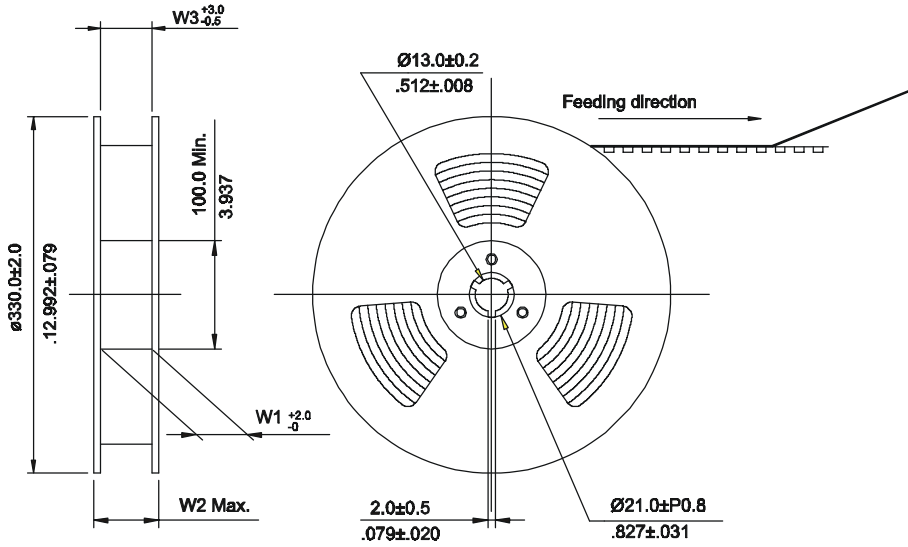


## 0511 SERIES. For Machine Mounting

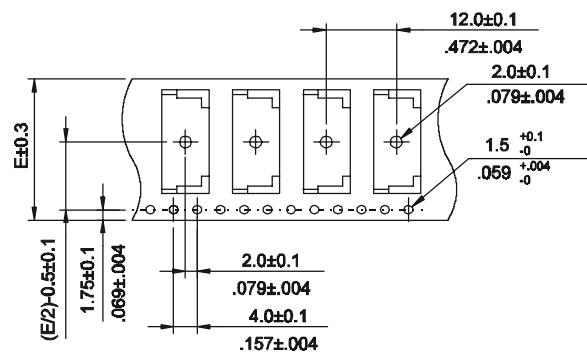
### Features

- Reel Packing

| Circuit Size | Dimensions   |               |               |               |               |
|--------------|--------------|---------------|---------------|---------------|---------------|
|              | E            | F             | W1            | W2            | W3            |
| 6-22         | 24.0 (0.945) | -             | 24.50 (0.965) | 30.50 (1.200) | 24.50 (0.965) |
| 23-32        | 32.0 (1.260) | 28.40 (1.118) | 32.50 (1.280) | 38.50 (1.516) | 32.50 (1.280) |
| 33-50        | 44.0 (1.732) | 40.40 (1.596) | 44.50 (1.752) | 50.50 (1.988) | 44.50 (1.752) |



Width: 32,44 mm Carrier



Width: 24 mm Carrier