

# 0.50mm HORIZONTAL SMT ZIF CONNECTOR



## 0515 SERIES. 0.50mm(0.020"). For PCB Solder

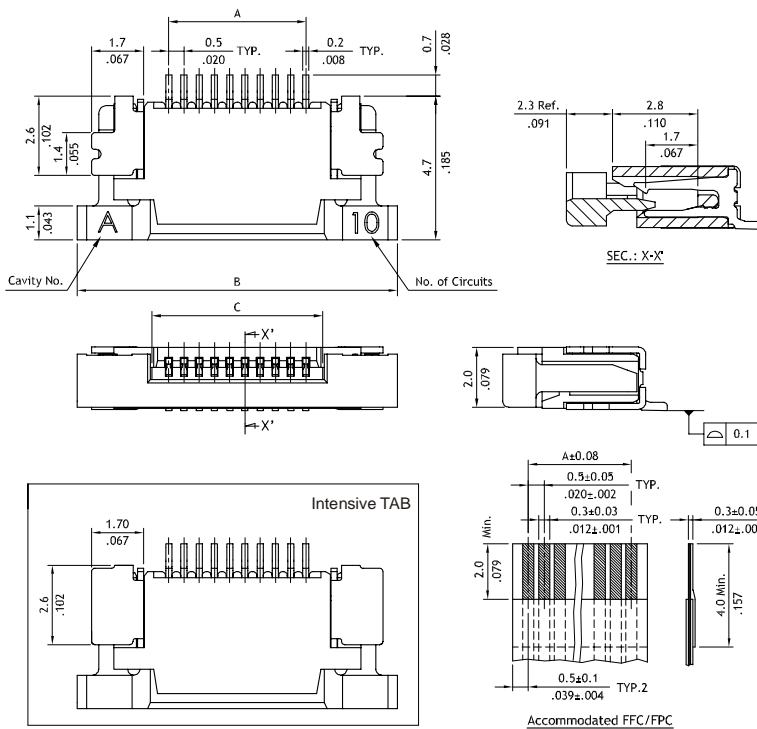
### Features

- Available in 06 to 50 circuits
- Insulation: High temperature plastic UL 94V-0 col. nature
- Slider: High temperature plastic UL 94V-0 colour Brown
- Actuator designed easy for FFC/FPC installation
- Contact Material: Tin plated over copper alloy
- Upside contact
- With fixed metal tabs to secure connector in place
- Available in Tube or Reel packing

### Dimensional Information

### Ordering and Dimensional Information

**0515 - 2- XX- E S**  
 1 2 3 4 5



#### 1. SERIAL OF CONNECTOR

#### 2. (T) FINISH OF CONTACTS

- Tin Plated available

#### 3. (XX) CIRCUIT SIZE

- Available in 06 through 50 circuits

#### 4. (E) CODE PACKING

- E = 1. PAD + TUBE
- E = 2. PAD + REEL

#### 5. (S) OPTIONS

- E = 1. Standard
- E = 2. Intensive TAB

A = 0.5 \* No. of Spaces  
 B = A + 6.0  
 C = A + 1.1

