

# DUAL ROW MALE HEADER SMT

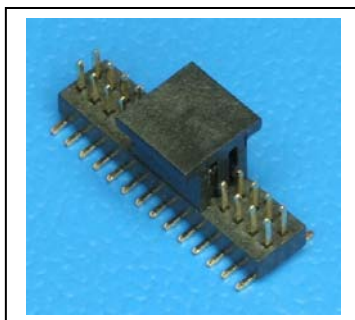
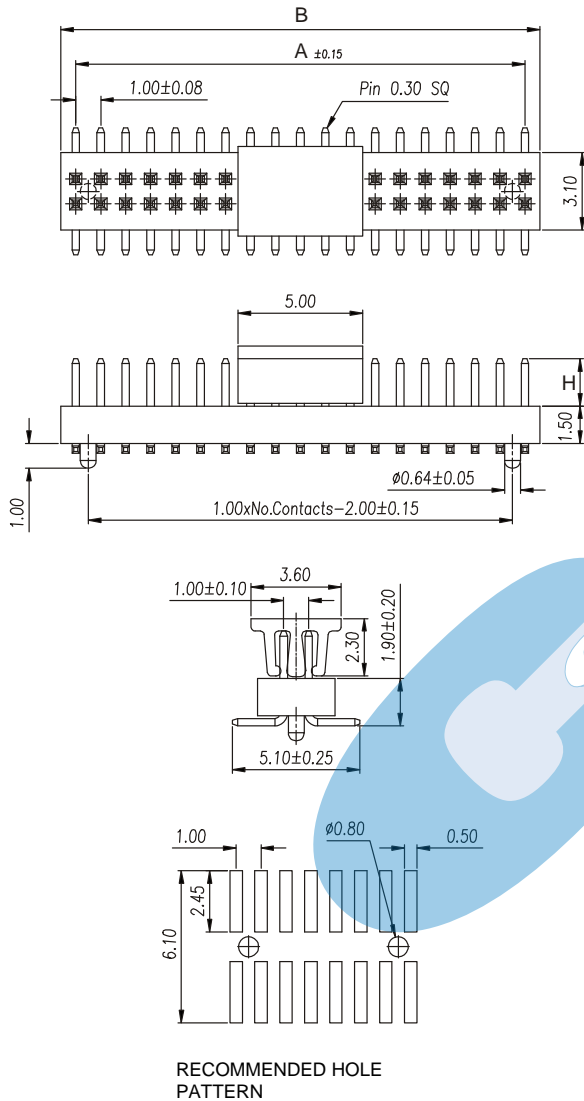


## 1042 SERIE 1.00 mm. (0.039"). For PCB Solder

### Features

- Available in 6 to 100 circuits
- Insulator material: thermoplastic UL 94V-0
- 0.30 mm phosphor bronze contacts
- Available in different pin length
- Mates with dual row female header 1.00 mm
- Available with or without fixation pivots

### Dimensional Information:



### Ordering and Dimensional Information:

Circuit Size	Part Number		Dimensions	
	Without Pivots	With Pivots	A	B
6	1042- T061LE	1042- T062LE	2,00(0,079)	3,00(0,118)
8	1042- T081LE	1042- T082LE	3,00(0,118)	4,00(0,157)
10	1042- T101LE	1042- T102LE	4,00(0,157)	5,00(0,197)
12	1042- T121LE	1042- T122LE	5,00(0,197)	6,00(0,236)
14	1042- T141LE	1042- T142LE	6,00(0,236)	7,00(0,276)
16	1042- T161LE	1042- T162LE	7,00(0,276)	8,00(0,315)
18	1042- T181LE	1042- T182LE	8,00(0,315)	9,00(0,354)
20	1042- T201LE	1042- T202LE	9,00(0,354)	10,00(0,394)
22	1042- T221LE	1042- T222LE	10,00(0,394)	11,00(0,433)
24	1042- T241LE	1042- T242LE	11,00(0,433)	12,00(0,472)
26	1042- T261LE	1042- T262LE	12,00(0,472)	13,00(0,512)
28	1042- T281LE	1042- T282LE	13,00(0,512)	14,00(0,551)
30	1042- T301LE	1042- T302LE	14,00(0,551)	15,00(0,591)
32	1042- T321LE	1042- T322LE	15,00(0,591)	16,00(0,630)
34	1042- T341LE	1042- T342LE	16,00(0,630)	17,00(0,669)
36	1042- T361LE	1042- T362LE	17,00(0,669)	18,00(0,709)
38	1042- T381LE	1042- T382LE	18,00(0,709)	19,00(0,748)
40	1042- T401LE	1042- T402LE	19,00(0,748)	20,00(0,787)
42	1042- T421LE	1042- T422LE	20,00(0,787)	21,00(0,827)
44	1042- T441LE	1042- T442LE	21,00(0,827)	22,00(0,866)
46	1042- T461LE	1042- T462LE	22,00(0,866)	23,00(0,906)
48	1042- T481LE	1042- T482LE	23,00(0,906)	24,00(0,945)
50	1042- T501LE	1042- T502LE	24,00(0,945)	25,00(0,984)
52	1042- T521LE	1042- T522LE	25,00(0,984)	26,00(1,024)
54	1042- T541LE	1042- T542LE	26,00(1,024)	27,00(1,063)
56	1042- T561LE	1042- T562LE	27,00(1,063)	28,00(1,102)
58	1042- T581LE	1042- T582LE	28,00(1,102)	29,00(1,142)
60	1042- T601LE	1042- T602LE	29,00(1,142)	30,00(1,181)
62	1042- T621LE	1042- T622LE	30,00(1,181)	31,00(1,220)
64	1042- T641LE	1042- T642LE	31,00(1,220)	32,00(1,260)
66	1042- T661LE	1042- T662LE	32,00(1,260)	33,00(1,299)
68	1042- T681LE	1042- T682LE	33,00(1,299)	34,00(1,339)
70	1042- T701LE	1042- T702LE	34,00(1,339)	35,00(1,378)
72	1042- T721LE	1042- T722LE	35,00(1,378)	36,00(1,417)
74	1042- T741LE	1042- T742LE	36,00(1,417)	37,00(1,457)
76	1042- T761LE	1042- T762LE	37,00(1,457)	38,00(1,496)
78	1042- T781LE	1042- T782LE	38,00(1,496)	39,00(1,535)
80	1042- T801LE	1042- T802LE	39,00(1,535)	40,00(1,575)
82	1042- T821LE	1042- T822LE	40,00(1,575)	41,00(1,614)
84	1042- T841LE	1042- T842LE	41,00(1,614)	42,00(1,654)
86	1042- T861LE	1042- T862LE	42,00(1,654)	43,00(1,693)
88	1042- T881LE	1042- T882LE	43,00(1,693)	44,00(1,732)
90	1042- T901LE	1042- T902LE	44,00(1,732)	45,00(1,772)
92	1042- T921LE	1042- T922LE	45,00(1,772)	46,00(1,811)
94	1042- T941LE	1042- T942LE	46,00(1,811)	47,00(1,850)
96	1042- T961LE	1042- T962LE	47,00(1,850)	48,00(1,890)
98	1042- T981LE	1042- T982LE	48,00(1,890)	49,00(1,929)
100	1042- T001LE	1042- T002LE	49,00(1,929)	50,00(1,968)

### T = Contact Plating

- T = 2. Tin-plated.
- T = 3. Gold flash over 1.27 µ de Ni.

### RECOMMENDED FINISH

- T = 5. 0.38 µ Gold over 1.27 µ de Ni.
- T = 6. 0.75 µ Gold over 1.27 µ de Ni.

### L = Pin Dimension

- C = 1. Dimension H = 1.9 mm.

### E = Packing Options

- E=1. Pad + tube
- E=2. Pad + reel