

# POWER CRIMP TERMINAL

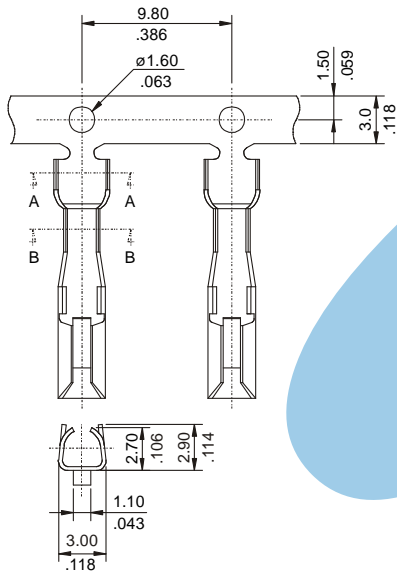


## 1083 SERIES. AWG 18-24. Multi-Contact

### Features

- High current carrying capacity
- Wire ranges: AWG 18 - 24
- Material: Pre-nickel phosphor bronze
- Used in 1080 series housing
- Mates with 2.36mm (.093") round pin
- Multi-contact

### Dimensional Information



### Ordering and Dimensional Information

| Reel Quantity   | Part Number        | Material                   | Wire Ranges | Insulation Diameter |
|-----------------|--------------------|----------------------------|-------------|---------------------|
| 5,000Pcs (Reel) | <b>1083 - 2000</b> | Pre-nickel phosphor bronze | AWG 18 - 24 | 2.76(0.109) max.    |
| Loose Piece     | <b>1083 - 2001</b> | Pre-nickel phosphor bronze | AWG 18 - 24 | 2.76(0.109) max.    |

