

1.27mm DUAL ROW FEMALE HEADER

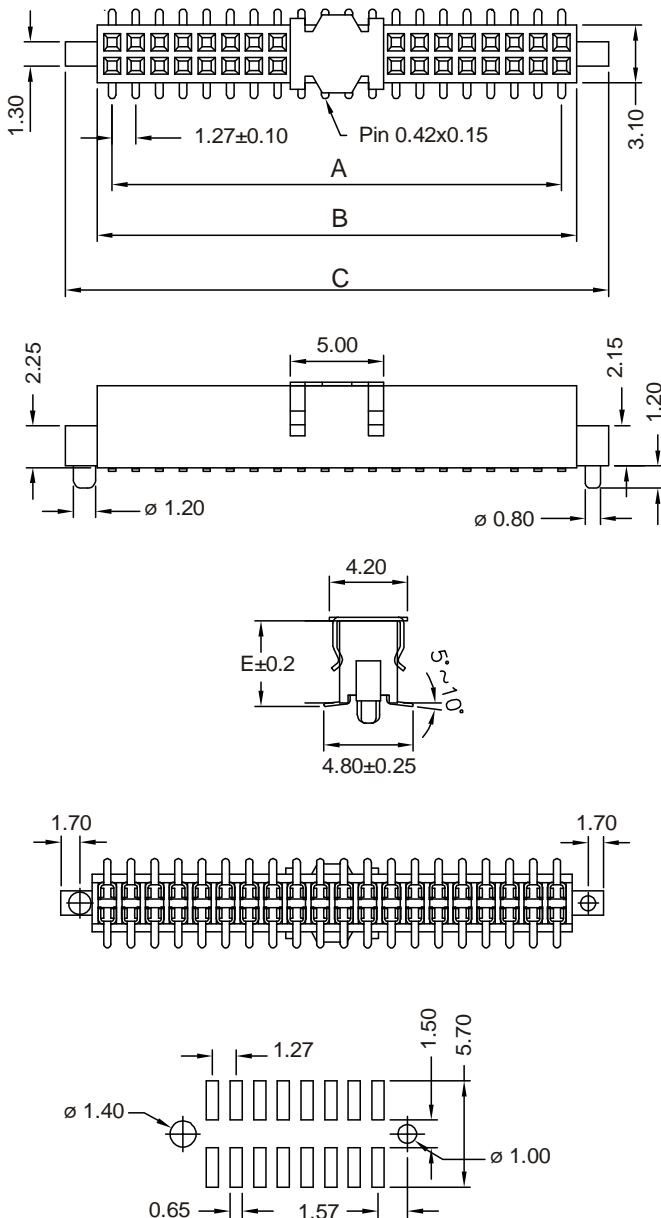


1297 SERIES. 1.27 x 1.27mm(0.050 x 0.050").SMT

Features

- Available in 10 through 100 circuits
- Insulator Material: Thermoplastic UL 94V-0
- Mates with 1.27 x 1.27mm pitch and 0.40mm square or round pin header
- Contact Material: Copper alloy
- Suitable for high density 1.27mm pitch devices
- High durability contact structure provides normal insertion force after repeated cycles
- Available With or Without mounting pegs
- For other options consult the Sales Office

Dimensional Information



Ordering

1297 - T - XX - P - L - E

1 2 3 4 5 6

1. Series

2. Plating Options

- T = 2. Tin plated
- T = 3. Gold flash over 50μ" nickel.
Recommended Finish
- T = 5. 15μ" gold over 50μ" nickel
- T = 6. 30μ" gold over 50μ" nickel

3. Circuits

- Available in 4 through 100 circuits
(For 100 circuits replace XX for 00)

4. Fixing System

- P = 1. W/O pegs
- P = 2. With pegs

5. Height

- L = 2. E = 4.50 mm.

6. Packing Options

- E = 1. Tube + Pad
- E = 2. Reel + Pad
- E = 3. Tube + Film
- E = 4. Reel + Film
- E = 5. Tube + Metallic Pad
- E = 6. Reel + Metallic Pad

DIMENSIONS:

$$A = 1.27 \left(\frac{XX}{2} - 1 \right) \quad B = 0.46 + 1.27 \left(\frac{XX}{2} \right) \quad C = 3.05 + 1.27 \left(\frac{XX}{2} - 1 \right)$$

XX = Circuit Size

