

# SHROUDED HEADER DUAL ROW

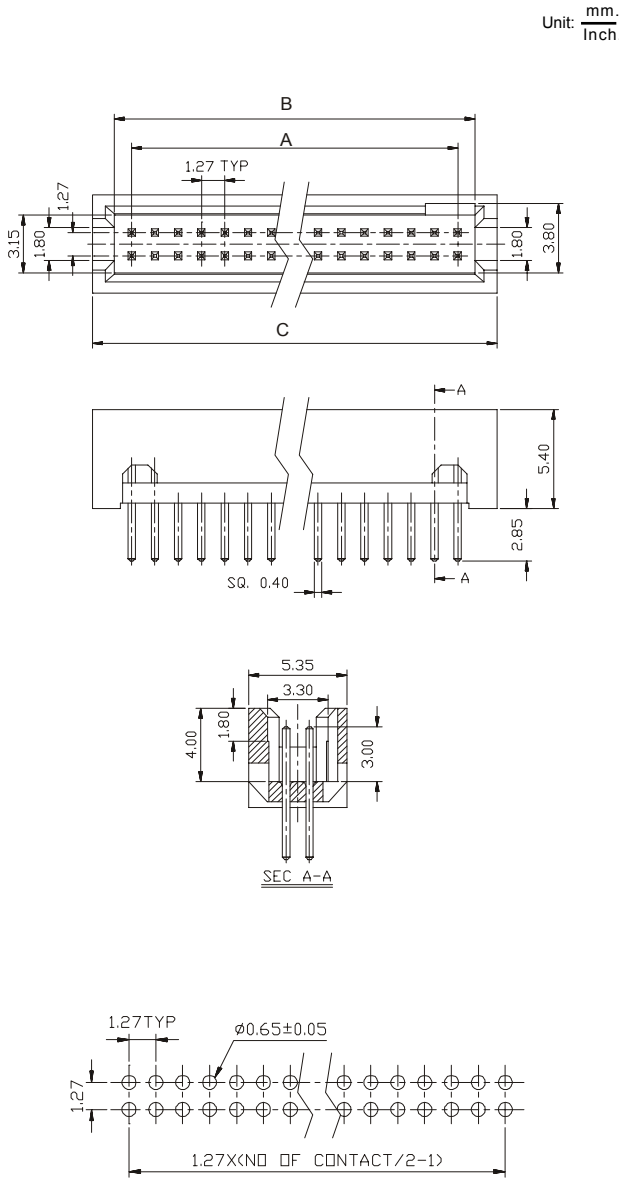


## 1299 SERIES. 1.27 x 1.27mm(0.050 x 0.050"). For PCB Solder

### Features

- Available in 10 through 100 circuits
- Mates with 1301 and 1302 series
- Boxed type dual row
- Insulator Material: Thermoplastic UL 94V-0
- Contact Material: Copper alloy with different plating
- 0.40mm Square pin
- For other options consult the Sales Office

### Dimensional Information



RECOMMENDED HOLE PATTERN

### Ordering and Dimensional Information

Circuit Size	Part Number	Dimensions		
		A	B	C
10	1299-T101	5.08(0,200)	6,95(0,274)	9,35(0,368)
12	1299-T121	6,35(0,250)	8,22(0,324)	10,62(0,418)
14	1299-T141	7,62(0,300)	9,49(0,374)	11,89(0,468)
16	1299-T161	8,89(0,350)	10,76(0,424)	13,16(0,518)
18	1299-T181	10,16(0,400)	12,03(0,474)	14,43(0,568)
20	1299-T201	11,43(0,450)	13,30(0,524)	15,70(0,618)
22	1299-T221	12,70(0,500)	14,57(0,574)	16,97(0,668)
24	1299-T241	13,97(0,550)	15,84(0,624)	18,24(0,718)
26	1299-T261	15,24(0,600)	17,11(0,674)	19,51(0,768)
28	1299-T281	16,51(0,650)	18,38(0,724)	20,78(0,818)
30	1299-T301	17,78(0,700)	19,65(0,774)	22,05(0,868)
32	1299-T321	19,05(0,750)	20,92(0,824)	23,32(0,918)
34	1299-T341	20,32(0,800)	22,19(0,874)	24,59(0,968)
36	1299-T361	21,59(0,850)	23,46(0,924)	25,86(1,018)
38	1299-T381	22,86(0,900)	24,73(0,974)	27,13(1,068)
40	1299-T401	24,13(0,950)	26,00(1,024)	28,40(1,118)
42	1299-T421	25,40(1,000)	27,27(1,074)	29,67(1,168)
44	1299-T441	26,67(1,050)	28,54(1,124)	30,94(1,218)
46	1299-T461	27,94(1,100)	29,81(1,174)	32,21(1,268)
48	1299-T481	29,21(1,150)	31,08(1,224)	33,48(1,318)
50	1299-T501	30,48(1,200)	32,35(1,274)	34,75(1,368)
52	1299-T521	31,75(1,250)	33,62(1,324)	36,02(1,418)
54	1299-T541	33,02(1,300)	34,89(1,374)	37,29(1,468)
56	1299-T561	34,29(1,350)	36,16(1,424)	38,56(1,518)
58	1299-T581	35,56(1,400)	37,43(1,474)	39,83(1,568)
60	1299-T601	36,83(1,450)	38,70(1,524)	41,10(1,618)
62	1299-T621	38,10(1,500)	39,97(1,574)	42,37(1,668)
64	1299-T641	39,37(1,550)	41,24(1,624)	43,64(1,718)
66	1299-T661	40,64(1,600)	42,51(1,674)	44,91(1,768)
68	1299-T681	41,91(1,650)	43,78(1,724)	46,18(1,818)
70	1299-T701	43,18(1,700)	45,05(1,774)	47,45(1,868)
72	1299-T721	44,45(1,750)	46,32(1,824)	48,72(1,918)
74	1299-T741	45,72(1,800)	47,59(1,874)	49,99(1,968)
76	1299-T761	46,99(1,850)	48,86(1,924)	51,26(2,018)
78	1299-T781	48,26(1,900)	50,13(1,974)	52,53(2,068)
80	1299-T801	49,53(1,950)	51,40(2,024)	53,80(2,118)
82	1299-T821	50,80(2,000)	52,67(2,074)	55,07(2,168)
84	1299-T841	52,07(2,050)	53,94(2,124)	56,34(2,218)
86	1299-T861	53,34(2,100)	55,21(2,174)	57,61(2,268)
88	1299-T881	54,61(2,150)	56,48(2,224)	58,88(2,318)
90	1299-T901	55,88(2,200)	57,75(2,274)	60,15(2,368)
92	1299-T921	57,15(2,250)	59,02(2,324)	61,42(2,418)
94	1299-T941	58,42(2,300)	60,29(2,374)	62,69(2,468)
96	1299-T961	59,69(2,350)	61,56(2,424)	63,96(2,518)
98	1299-T981	60,96(2,400)	62,83(2,474)	65,23(2,568)
100	1299-T001	62,23(2,450)	64,10(2,524)	66,50(2,618)

### T = Contact Plating

- T = 13. Selective gold flash over 50 $\mu$ " nickel

### Recommended Finish

- T = 14. 10 $\mu$ " selective gold over 50 $\mu$ " nickel
- T = 16. 30 $\mu$ " selective gold over 50 $\mu$ " nickel