

# DUAL ROW SMT SHROUDED HEADER



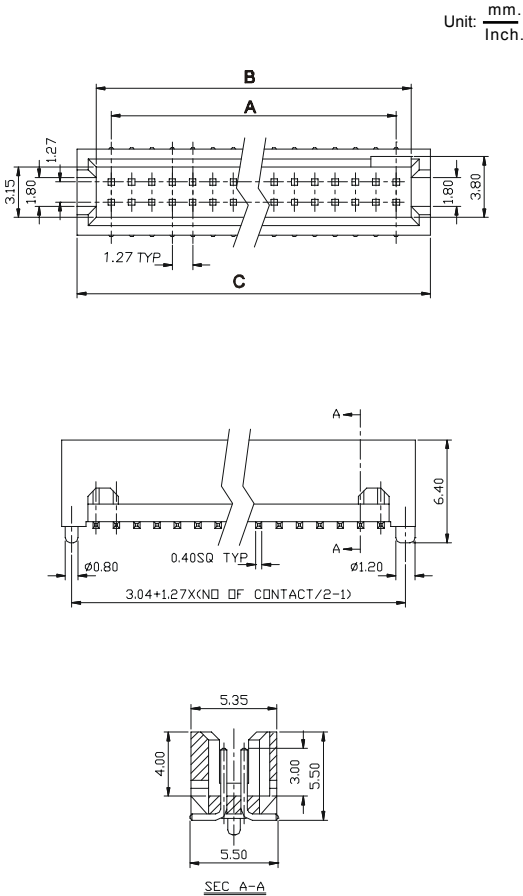
## 1300 SERIES. 1.27 x 1.27mm(0.050 x 0.050"). SMT

### Features

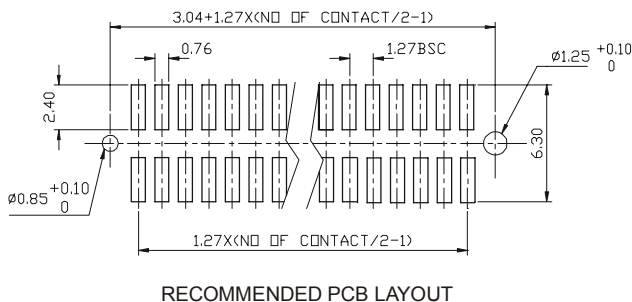
- Available in 10 through 100 circuits
- Mates with 1301 and 1302 series
- Boxed type dual row
- Insulator Material: Thermoplastic UL 94V-0
- Contact Material: Copper alloy with different plating
- 0.40mm Square pin
- With mounting post
- For other options consult the Sales Office

### Dimensional Information

### Ordering and Dimensional Information



Circuit Size	Part Number	Dimensions			
		A	B	C	D
10	1300-T101	5,08(0,200)	6,95(0,274)	8,12(0,320)	9,35(0,368)
12	1300-T121	6,35(0,250)	8,22(0,324)	9,39(0,370)	10,62(0,418)
14	1300-T141	7,62(0,300)	9,49(0,374)	10,66(0,420)	11,89(0,468)
16	1300-T161	8,89(0,350)	10,76(0,424)	11,93(0,470)	13,16(0,518)
18	1300-T181	10,16(0,400)	12,03(0,474)	13,20(0,520)	14,43(0,568)
20	1300-T201	11,43(0,450)	13,30(0,524)	14,47(0,570)	15,70(0,618)
22	1300-T221	12,70(0,500)	14,57(0,574)	15,74(0,620)	16,97(0,668)
24	1300-T241	13,97(0,550)	15,84(0,624)	17,01(0,670)	18,24(0,718)
26	1300-T261	15,24(0,600)	17,11(0,674)	18,28(0,720)	19,51(0,768)
28	1300-T281	16,51(0,650)	18,38(0,724)	19,55(0,770)	20,78(0,818)
30	1300-T301	17,78(0,700)	19,65(0,774)	20,82(0,820)	22,05(0,868)
32	1300-T321	19,05(0,750)	20,92(0,824)	22,09(0,870)	23,32(0,918)
34	1300-T341	20,32(0,800)	22,19(0,874)	23,36(0,920)	24,59(0,968)
36	1300-T361	21,59(0,850)	23,46(0,924)	24,63(0,970)	25,86(1,018)
38	1300-T381	22,86(0,900)	24,73(0,974)	25,90(1,020)	27,13(1,068)
40	1300-T401	24,13(0,950)	26,00(1,024)	27,17(1,070)	28,40(1,118)
42	1300-T421	25,40(1,000)	27,27(1,074)	28,44(1,120)	29,67(1,168)
44	1300-T441	26,67(1,050)	28,54(1,124)	29,71(1,170)	30,94(1,218)
46	1300-T461	27,94(1,100)	29,81(1,174)	30,98(1,220)	32,21(1,268)
48	1300-T481	29,21(1,150)	31,08(1,224)	32,25(1,270)	33,48(1,318)
50	1300-T501	30,48(1,200)	32,35(1,274)	33,52(1,320)	34,75(1,368)
52	1300-T521	31,75(1,250)	33,62(1,324)	34,79(1,370)	36,02(1,418)
54	1300-T541	33,02(1,300)	34,89(1,374)	36,06(1,420)	37,29(1,468)
56	1300-T561	34,29(1,350)	36,16(1,424)	37,33(1,470)	38,56(1,518)
58	1300-T581	35,56(1,400)	37,43(1,474)	38,60(1,520)	39,83(1,568)
60	1300-T601	36,83(1,450)	38,70(1,524)	39,87(1,570)	41,10(1,618)
62	1300-T621	38,10(1,500)	39,97(1,574)	41,14(1,620)	42,37(1,668)
64	1300-T641	39,37(1,550)	41,24(1,624)	42,41(1,670)	43,64(1,718)
66	1300-T661	40,64(1,600)	42,51(1,674)	43,68(1,720)	44,91(1,768)
68	1300-T681	41,91(1,650)	43,78(1,724)	44,95(1,770)	46,18(1,818)
70	1300-T701	43,18(1,700)	45,05(1,774)	46,22(1,820)	47,45(1,868)
72	1300-T721	44,45(1,750)	46,32(1,824)	47,49(1,870)	48,72(1,918)
74	1300-T741	45,72(1,800)	47,59(1,874)	48,76(1,920)	49,99(1,968)
76	1300-T761	46,99(1,850)	48,86(1,924)	50,03(1,970)	51,26(2,018)
78	1300-T781	48,26(1,900)	50,13(1,974)	51,30(2,020)	52,53(2,068)
80	1300-T801	49,53(1,950)	51,40(2,024)	52,57(2,070)	53,80(2,118)
82	1300-T821	50,80(2,000)	52,67(2,074)	53,84(2,120)	55,07(2,168)
84	1300-T841	52,07(2,050)	53,94(2,124)	55,11(2,170)	56,34(2,218)
86	1300-T861	53,34(2,100)	55,21(2,174)	56,38(2,220)	57,61(2,268)
88	1300-T881	54,61(2,150)	56,48(2,224)	57,65(2,270)	58,88(2,318)
90	1300-T901	55,88(2,200)	57,75(2,274)	58,92(2,320)	60,15(2,368)
92	1300-T921	57,15(2,250)	59,02(2,324)	60,19(2,370)	61,42(2,418)
94	1300-T941	58,42(2,300)	60,29(2,374)	61,46(2,420)	62,69(2,468)
96	1300-T961	59,69(2,350)	61,56(2,424)	62,73(2,470)	63,96(2,518)
98	1300-T981	60,96(2,400)	62,83(2,474)	64,00(2,520)	65,23(2,568)
100	1300-T001	62,23(2,450)	64,10(2,524)	65,27(2,570)	66,50(2,618)



### T = Contact Plating

- T = 13. Selective gold flash over 50µ" nickel.  
**Recommended Finish**
- T = 14. 10µ" selective gold over 50µ" nickel
- T = 16. 30µ" selective gold over 50µ" nickel