

# 1.27mm DUAL ROW FEMALE HEADER

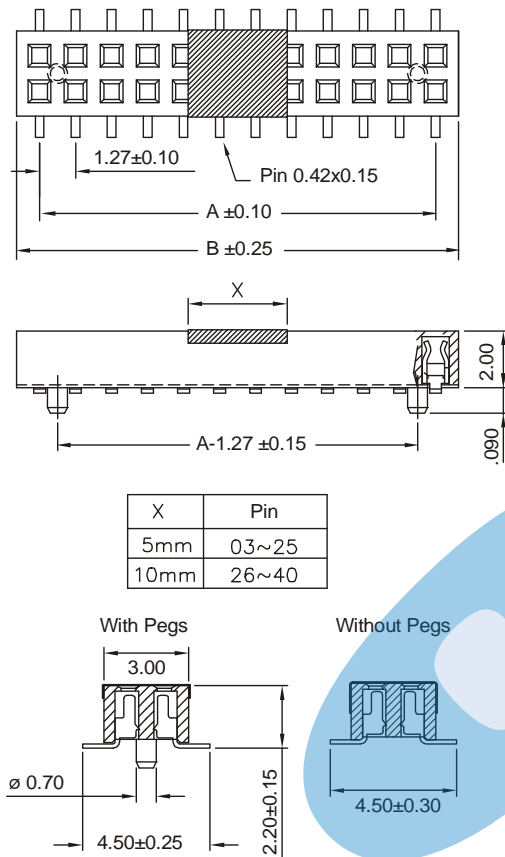


## 1305 SERIES. 1.27 x 1.27mm(0.050 x 0.050").SMT

### Features

- Available in 6 through 80 circuits
- Insulator Material: Thermoplastic UL 94V-0
- Mates with 1.27 x 1.27mm pitch and 0.40mm square or round pin header
- Contact Material: High reliability Copper alloy
- Top and bottom entry of male header
- Optional fixing pegs
- For other options consult the Sales Office

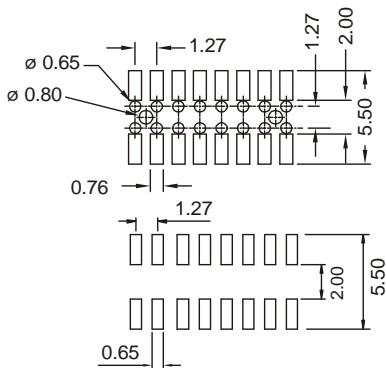
### Dimensional Information



### Ordering and Dimensional Information

| Circuit Size | Part Number  |            | Dimensions   |              |
|--------------|--------------|------------|--------------|--------------|
|              | Without Pegs | With Pegs  | A            | B            |
| 06           | 1305-T081E   | 1305-T082E | 2,54(0,100)  | 4,21(0,165)  |
| 08           | 1305-T081E   | 1305-T082E | 3,81(0,150)  | 5,48(0,216)  |
| 10           | 1305-T101E   | 1305-T102E | 5,08(0,200)  | 6,75(0,266)  |
| 12           | 1305-T121E   | 1305-T122E | 6,35(0,250)  | 8,02(0,316)  |
| 14           | 1305-T141E   | 1305-T142E | 7,62(0,300)  | 9,29(0,366)  |
| 16           | 1305-T161E   | 1305-T162E | 8,89(0,350)  | 10,56(0,416) |
| 18           | 1305-T181E   | 1305-T182E | 10,16(0,400) | 11,83(0,466) |
| 20           | 1305-T201E   | 1305-T202E | 11,43(0,450) | 13,10(0,516) |
| 22           | 1305-T221E   | 1305-T222E | 12,70(0,500) | 14,37(0,566) |
| 24           | 1305-T241E   | 1305-T242E | 13,97(0,550) | 15,64(0,616) |
| 26           | 1305-T261E   | 1305-T262E | 15,24(0,600) | 16,91(0,666) |
| 28           | 1305-T281E   | 1305-T282E | 16,51(0,650) | 18,18(0,716) |
| 30           | 1305-T301E   | 1305-T302E | 17,78(0,700) | 19,45(0,766) |
| 32           | 1305-T321E   | 1305-T322E | 19,05(0,750) | 20,72(0,816) |
| 34           | 1305-T341E   | 1305-T342E | 20,32(0,800) | 21,99(0,866) |
| 36           | 1305-T361E   | 1305-T362E | 21,59(0,850) | 23,26(0,916) |
| 38           | 1305-T381E   | 1305-T382E | 22,86(0,900) | 24,53(0,966) |
| 40           | 1305-T401E   | 1305-T402E | 24,13(0,950) | 25,80(1,016) |
| 42           | 1305-T421E   | 1305-T422E | 25,40(1,000) | 27,07(1,066) |
| 44           | 1305-T441E   | 1305-T442E | 26,67(1,050) | 28,34(1,116) |
| 46           | 1305-T461E   | 1305-T462E | 27,94(1,100) | 29,61(1,166) |
| 48           | 1305-T481E   | 1305-T482E | 29,21(1,150) | 30,88(1,216) |
| 50           | 1305-T501E   | 1305-T502E | 30,48(1,200) | 32,15(1,266) |
| 52           | 1305-T521E   | 1305-T522E | 31,75(1,250) | 33,42(1,316) |
| 54           | 1305-T541E   | 1305-T542E | 33,02(1,300) | 34,69(1,366) |
| 56           | 1305-T561E   | 1305-T562E | 34,29(1,350) | 35,96(1,416) |
| 58           | 1305-T581E   | 1305-T582E | 35,56(1,400) | 37,23(1,466) |
| 60           | 1305-T601E   | 1305-T602E | 36,83(1,450) | 38,50(1,516) |
| 62           | 1305-T621E   | 1305-T622E | 38,10(1,500) | 39,77(1,566) |
| 64           | 1305-T641E   | 1305-T642E | 39,37(1,550) | 41,04(1,616) |
| 66           | 1305-T661E   | 1305-T662E | 40,64(1,600) | 42,31(1,666) |
| 68           | 1305-T681E   | 1305-T682E | 41,91(1,650) | 43,58(1,716) |
| 70           | 1305-T701E   | 1305-T702E | 43,18(1,700) | 44,85(1,766) |
| 72           | 1305-T721E   | 1305-T722E | 44,45(1,750) | 46,12(1,816) |
| 74           | 1305-T741E   | 1305-T742E | 45,72(1,800) | 47,39(1,866) |
| 76           | 1305-T761E   | 1305-T762E | 46,99(1,850) | 48,66(1,916) |
| 78           | 1305-T781E   | 1305-T782E | 48,26(1,900) | 49,93(1,966) |
| 80           | 1305-T801E   | 1305-T802E | 49,53(1,950) | 51,20(2,016) |

### RECOMMENDED PCB LAYOUT



### T = Contact Plating

- T = 2. Tin plated
- T = 3. Gold flash over 50µ" nickel  
Recommended Finish
- T = 5. 15µ" gold over 50µ" nickel
- T = 6. 30µ" gold over 50µ" nickel

### E = Packing Options

- E = 1. PAD + TUBE
- E = 2. PAD + REEL
- E = 5. METAL PAD + TUBE
- E = 6. METAL PAD + TUBE