

# FEMALE HEADER FOR FLAT CABLE

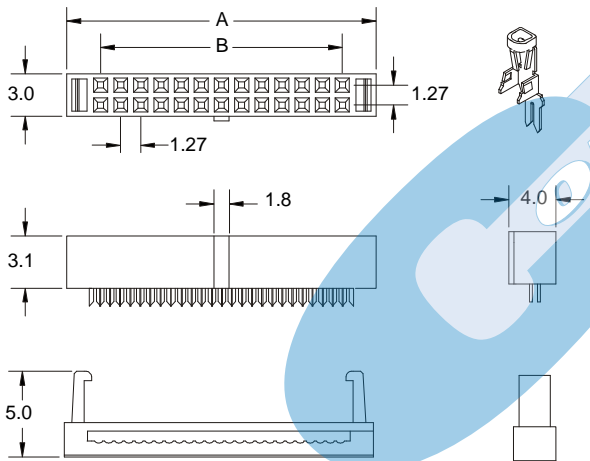


## 1341 SERIES. 1.27 x 1.27 mm. (0.050 x 0.050").

### Features

- Available in 10, 20, 22, 26, 34, 40 and 50 circuits
- Mates with male headers 1.27 x 1.27 mm. 0.40 x 0.40 mm 1342, 1343, 1344, 1345, 1346 and 1347 serie
- Insulator material: glass filled polyester UL 94V-0
- Copper alloy
- Available in different plating
- Dielectric rigidity: 250V AC / 1 minute
- Flat cable 0.635 mm assembly 9063 / 9064 serie

### Dimensional information:



### Ordering and dimensional information:

Circuit Size	Part Number	Dimensions	
		A	B
10	<b>1341 - T100</b>	10.50 (0.413)	5.08 (0.200)
12	<b>1341 - T120</b>	11.80 (0.464)	6.35 (0.250)
14	<b>1341 - T140</b>	13.10 (0.515)	7.62 (0.300)
16	<b>1341 - T160</b>	14.30 (0.563)	8.89 (0.350)
20	<b>1341 - T200</b>	16.90 (0.665)	11.43 (0.450)
22	<b>1341 - T220</b>	18.10 (0.712)	12.70 (0.500)
26	<b>1341 - T260</b>	20.70 (0.815)	15.24 (0.600)
30	<b>1341 - T300</b>	23.30 (0.917)	17.78 (0.700)
34	<b>1341 - T340</b>	25.80 (1.015)	20.32 (0.800)
40	<b>1341 - T400</b>	29.60 (1.165)	24.13 (0.950)
44	<b>1341 - T440</b>	32.10 (1.264)	26.67 (1.050)
50	<b>1341 - T500</b>	35.90 (1.413)	30.48 (1.200)

### T = Contact Plating

- T = 2. Tin plated
- T = 3. Gold flash over 50µ" nickel.  
Recommended Finish
- T = 5. 15µ" gold over 50µ" nickel
- T = 6. 30µ" gold over 50µ" nickel