

# S/ ROW BREAKAWAY STRAIGHT HEADER

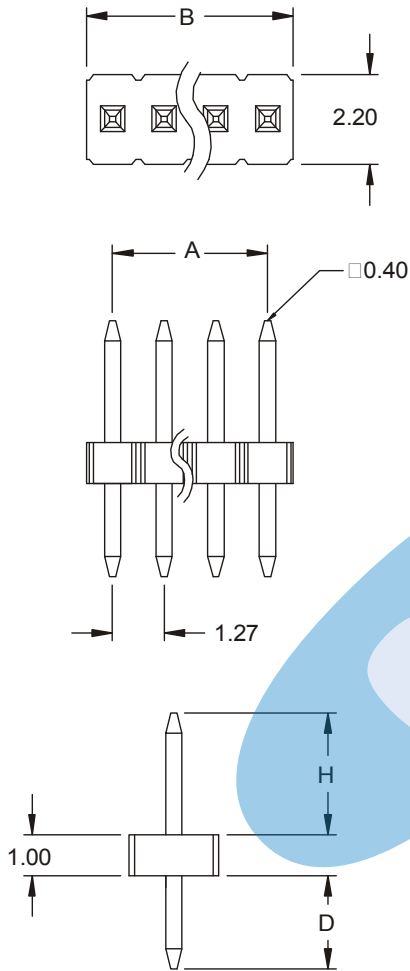


## 1350 SERIES. 1.27mm(0.050"). For PCB Solder

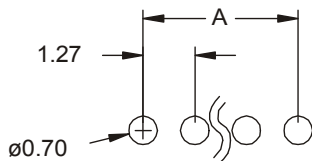
### Features

- Available in 2 through 33 circuits
- Mates with 2.54mm(.100") single row housing and sockets
- Insulator Material: Polyester UL 94V-0. Colour: Black
- 0.40mm square pin in copper alloy
- Pin length and plating options are available
- Easy breakaway to desired circuit size
- For other options consult the Sales Office

### Dimensional Information



### RECOMMENDED HOLE PATTERN



### Ordering and Dimensional Information

Circuit Size	Part Number	Dimensions	
		A	B
02	<b>1350-T02C</b>	1.27 (0.050)	2.54 (0.100)
03	<b>1350-T03C</b>	2.54 (0.100)	3.81(0.150)
04	<b>1350-T04C</b>	3.81(0.150)	5,08(0,200)
05	<b>1350-T05C</b>	5,08(0,200)	6,35(0,250)
06	<b>1350-T06C</b>	6,35(0,250)	7,62(0,300)
07	<b>1350-T07C</b>	7,62(0,300)	8,89(0,350)
08	<b>1350-T08C</b>	8,89(0,350)	10,16(0,400)
09	<b>1350-T09C</b>	10,16(0,400)	11,43(0,450)
10	<b>1350-T10C</b>	11,43(0,450)	12,70(0,500)
11	<b>1350-T11C</b>	12,70(0,500)	13,97(0,550)
12	<b>1350-T12C</b>	13,97(0,550)	15,24(0,600)
13	<b>1350-T13C</b>	15,24(0,600)	16,51(0,650)
14	<b>1350-T14C</b>	16,51(0,650)	17,78(0,700)
15	<b>1350-T15C</b>	17,78(0,700)	19,05(0,750)
16	<b>1350-T16C</b>	19,05(0,750)	20,32(0,800)
17	<b>1350-T17C</b>	20,32(0,800)	21,59(0,850)
18	<b>1350-T18C</b>	21,59(0,850)	22,86(0,900)
19	<b>1350-T19C</b>	22,86(0,900)	24,13(0,950)
20	<b>1350-T20C</b>	24,13(0,950)	25,40(1,000)
21	<b>1350-T21C</b>	25,40(1,000)	26,67(1,050)
22	<b>1350-T22C</b>	26,67(1,050)	27,94(1,100)
23	<b>1350-T23C</b>	27,94(1,100)	29,21(1,150)
24	<b>1350-T24C</b>	29,21(1,150)	30,48(1,200)
25	<b>1350-T25C</b>	30,48(1,200)	31,75(1,250)
26	<b>1350-T26C</b>	31,75(1,250)	33,02(1,300)
27	<b>1350-T27C</b>	33,02(1,300)	34,29(1,350)
28	<b>1350-T28C</b>	34,29(1,350)	35,56(1,400)
29	<b>1350-T29C</b>	35,56(1,400)	36,83(1,450)
30	<b>1350-T30C</b>	36,83(1,450)	38,10(1,500)
31	<b>1350-T31C</b>	38,10(1,500)	39,37(1,550)
32	<b>1350-T32C</b>	39,37(1,550)	40,64(1,600)
33	<b>1350-T33C</b>	40,64(1,600)	41,91(1,650)

### T = Contact Plating

- T = 2. Tin plated
- T = 3. Gold flash over 50µ" nickel  
Recommended Finish
- T = 5. 15µ" gold over 50µ" nickel
- T = 6. 30µ" gold over 50µ" nickel
- T = 13. Selective gold flash over 50µ" nickel
- T = 15. 15µ" selective gold over 50µ" nickel
- T = 16. 30µ" selective gold over 50µ" nickel

### C = Pin Length

- C = 1. D = 2.30mm ; H = 3.00mm
- C = 2. D = 3.30mm ; H = 3.00mm
- C = 3. D = 4.20mm ; H = 3.00mm
- C = 4. D = 1.80mm ; H = 3.50mm