

SINGLE ROW STRAIGHT HEADER SMT

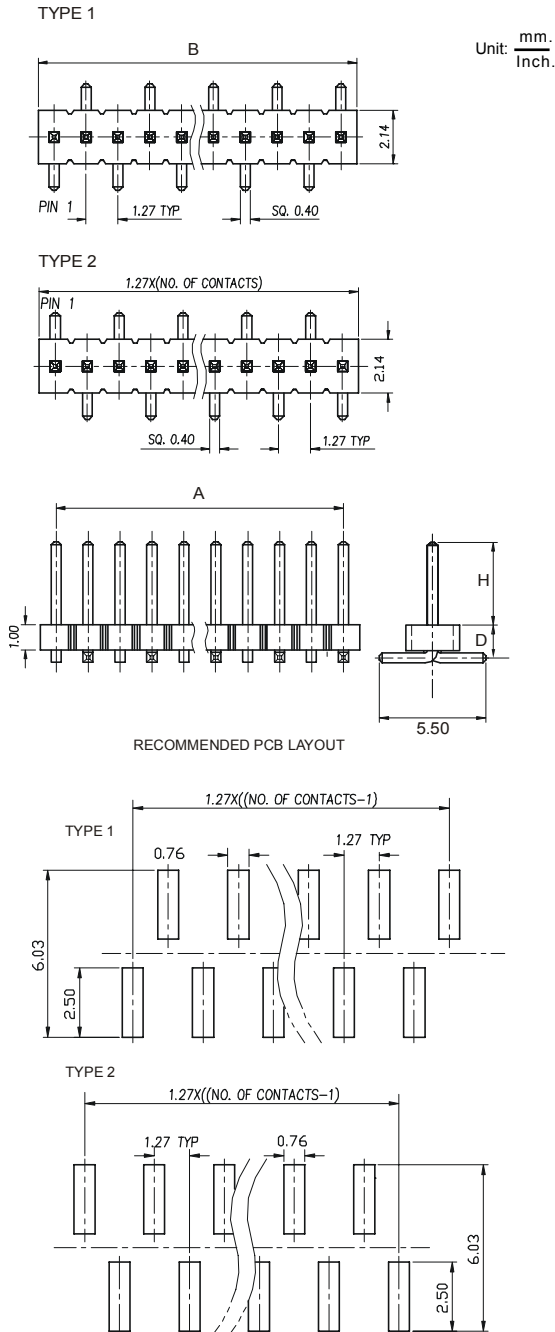


1352 SERIES. For PCB Solder. Without Fixing Post.

Features

- Available in 4 through 50 circuits
- Mates with 1.27mm single row housing and sockets
- Insulator Material: Polyester UL 94V-0
- Different plating options are available
- 0.40mm square pin in copper alloy
- Easy breakaway to desired circuit size
- Different pin lengths are available
- For other options consult the Sales Office

Dimensional Information



C = Pin Length

- C = 1. H = 3.00mm; D = 1.50mm
 - Different pin lengths are available
- For other options consult the Sales Office**

Ordering and Dimensional Information

Circuit Size	Part Number		Dimensions	
	Type 1	Type 2	A	B
04	1352-T041C	1352-T042C	3,81 (0,150)	5,08(0,200)
05	1352-T051C	1352-T052C	5,08(0,200)	6,35(0,250)
06	1352-T061C	1352-T062C	6,35(0,250)	7,62(0,300)
07	1352-T071C	1352-T072C	7,62(0,300)	8,89(0,350)
08	1352-T081C	1352-T082C	8,89(0,350)	10,16(0,400)
09	1352-T091C	1352-T092C	10,16(0,400)	11,43(0,450)
10	1352-T101C	1352-T102C	11,43(0,450)	12,70(0,500)
11	1352-T111C	1352-T112C	12,70(0,500)	13,97(0,550)
12	1352-T121C	1352-T122C	13,97(0,550)	15,24(0,600)
13	1352-T131C	1352-T132C	15,24(0,600)	16,51(0,650)
14	1352-T141C	1352-T142C	16,51(0,650)	17,78(0,700)
15	1352-T151C	1352-T152C	17,78(0,700)	19,05(0,750)
16	1352-T161C	1352-T162C	19,05(0,750)	20,32(0,800)
17	1352-T171C	1352-T172C	20,32(0,800)	21,59(0,850)
18	1352-T181C	1352-T182C	21,59(0,850)	22,86(0,900)
19	1352-T191C	1352-T192C	22,86(0,900)	24,13(0,950)
20	1352-T201C	1352-T202C	24,13(0,950)	25,40(1,000)
21	1352-T211C	1352-T212C	25,40(1,000)	26,67(1,050)
22	1352-T221C	1352-T222C	26,67(1,050)	27,94(1,100)
23	1352-T231C	1352-T232C	27,94(1,100)	29,21(1,150)
24	1352-T241C	1352-T242C	29,21(1,150)	30,48(1,200)
25	1352-T251C	1352-T252C	30,48(1,200)	31,75(1,250)
26	1352-T261C	1352-T262C	31,75(1,250)	33,02(1,300)
27	1352-T271C	1352-T272C	33,02(1,300)	34,29(1,350)
28	1352-T281C	1352-T282C	34,29(1,350)	35,56(1,400)
29	1352-T291C	1352-T292C	35,56(1,400)	36,83(1,450)
30	1352-T301C	1352-T302C	36,83(1,450)	38,10(1,500)
31	1352-T311C	1352-T312C	38,10(1,500)	39,37(1,550)
32	1352-T321C	1352-T322C	39,37(1,550)	40,64(1,600)
33	1352-T331C	1352-T332C	40,64(1,600)	41,91(1,650)
34	1352-T341C	1352-T342C	41,91(1,650)	43,18(1,700)
35	1352-T351C	1352-T352C	43,18(1,700)	44,45(1,750)
36	1352-T361C	1352-T362C	44,45(1,750)	45,72(1,800)
37	1352-T371C	1352-T372C	45,72(1,800)	46,99(1,850)
38	1352-T381C	1352-T382C	46,99(1,850)	48,26(1,900)
39	1352-T391C	1352-T392C	48,26(1,900)	49,53(1,950)
40	1352-T401C	1352-T402C	49,53(1,950)	50,80(2,000)
41	1352-T411C	1352-T412C	50,80(2,000)	52,07(2,050)
42	1352-T421C	1352-T422C	52,07(2,050)	53,34(2,100)
43	1352-T431C	1352-T432C	53,34(2,100)	54,61(2,150)
44	1352-T441C	1352-T442C	54,61(2,150)	55,88(2,200)
45	1352-T451C	1352-T452C	55,88(2,200)	57,15(2,250)
46	1352-T461C	1352-T462C	57,15(2,250)	58,42(2,300)
47	1352-T471C	1352-T472C	58,42(2,300)	59,69(2,350)
48	1352-T481C	1352-T482C	59,69(2,350)	60,96(2,400)
49	1352-T491C	1352-T492C	60,96(2,400)	62,23(2,450)
50	1352-T501C	1352-T502C	62,23(2,450)	63,50(2,500)

T = Contact Plating

- T = 13. Selective gold flash over 50µ" nickel.
Recommended Finish
- T = 14. 10µ" selective gold over 50µ" nickel
- T = 16. 30µ" selective gold over 50µ" nickel