

1.27mm SINGLE ROW FEMALE HEADER



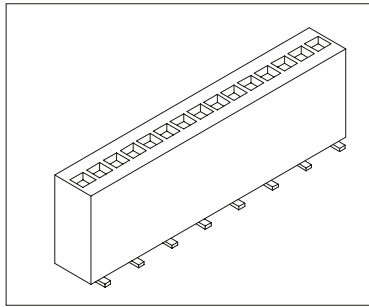
1370 SERIES. 1.27mm(0.050"). SMT

Features

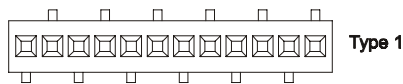
- Available in 3 through 40 circuits
- Mates with 1.27mm pitch and 0.46mm square or round pin header
- Insulator Material: Nylon 6 T UL 94V-0
- Contact Material: Phosphor bronze
- Profile: 6mm
- High density PCB socket and high reliability contact
- For other options consult the Sales Office

Dimensional information

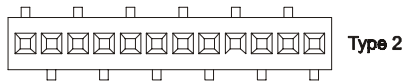
Ordering and Dimensional Information



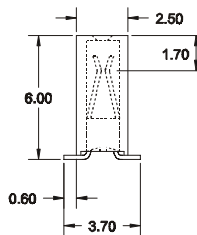
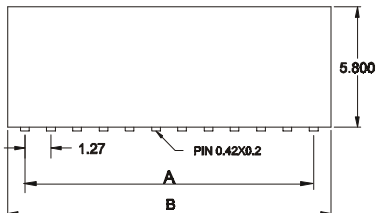
Unit: $\frac{\text{mm.}}{\text{Inch.}}$



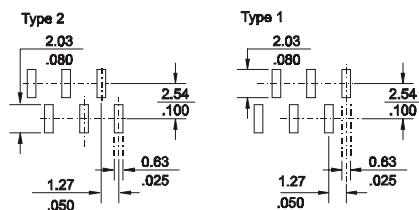
Type 1



Type 2



RECOMMENDED PCB LAYOUT



Circuit Size	Part Number		Dimensions	
	Type 1	Type 2	A	B
03	1370-T031	1370-T032	2,54(0,100)	4,21(0,166)
04	1370-T041	1370-T042	3,81(0,150)	5,48(0,216)
05	1370-T051	1370-T052	5,08(0,200)	6,75(0,266)
06	1370-T061	1370-T062	6,35(0,250)	8,02(0,316)
07	1370-T071	1370-T072	7,62(0,300)	9,29(0,366)
08	1370-T081	1370-T082	8,89(0,350)	10,56(0,416)
09	1370-T091	1370-T092	10,16(0,400)	11,83(0,466)
10	1370-T101	1370-T102	11,43(0,450)	13,10(0,516)
11	1370-T111	1370-T112	12,70(0,500)	14,37(0,566)
12	1370-T121	1370-T122	13,97(0,550)	15,64(0,616)
13	1370-T131	1370-T132	15,24(0,600)	16,91(0,666)
14	1370-T141	1370-T142	16,51(0,650)	18,18(0,716)
15	1370-T151	1370-T152	17,78(0,700)	19,45(0,766)
16	1370-T161	1370-T162	19,05(0,750)	20,72(0,816)
17	1370-T171	1370-T172	20,32(0,800)	21,99(0,866)
18	1370-T181	1370-T182	21,59(0,850)	23,26(0,916)
19	1370-T191	1370-T192	22,86(0,900)	24,53(0,966)
20	1370-T201	1370-T202	24,13(0,950)	25,80(1,016)
21	1370-T211	1370-T212	25,40(1,000)	27,07(1,066)
22	1370-T221	1370-T222	26,67(1,050)	28,34(1,116)
23	1370-T231	1370-T232	27,94(1,100)	29,61(1,166)
24	1370-T241	1370-T242	29,21(1,150)	30,88(1,216)
25	1370-T251	1370-T252	30,48(1,200)	32,15(1,266)
26	1370-T261	1370-T262	31,75(1,250)	33,42(1,316)
27	1370-T271	1370-T272	33,02(1,300)	34,69(1,366)
28	1370-T281	1370-T282	34,29(1,350)	35,96(1,416)
29	1370-T291	1370-T292	35,56(1,400)	37,23(1,466)
30	1370-T301	1370-T302	36,83(1,450)	38,50(1,516)
31	1370-T311	1370-T312	38,10(1,500)	39,77(1,566)
32	1370-T321	1370-T322	39,37(1,550)	41,04(1,616)
33	1370-T331	1370-T332	40,64(1,600)	42,31(1,666)
34	1370-T341	1370-T342	41,91(1,650)	43,58(1,716)
35	1370-T351	1370-T352	43,18(1,700)	44,85(1,766)
36	1370-T361	1370-T362	44,45(1,750)	46,12(1,816)
37	1370-T371	1370-T372	45,72(1,800)	47,39(1,866)
38	1370-T381	1370-T382	46,99(1,850)	48,66(1,916)
39	1370-T391	1370-T392	48,26(1,900)	49,93(1,966)
40	1370-T401	1370-T402	49,53(1,950)	51,20(2,016)

T = Contact Plating

- T = 2. Tin plated
- T = 3. Gold flash over 50μ" nickel
Recommended Finish
- T = 5. 15μ" gold over 50μ" nickel
- T = 6. 30μ" gold over 50μ" nickel