

1.27mm SINGLE ROW FEMALE HEADER

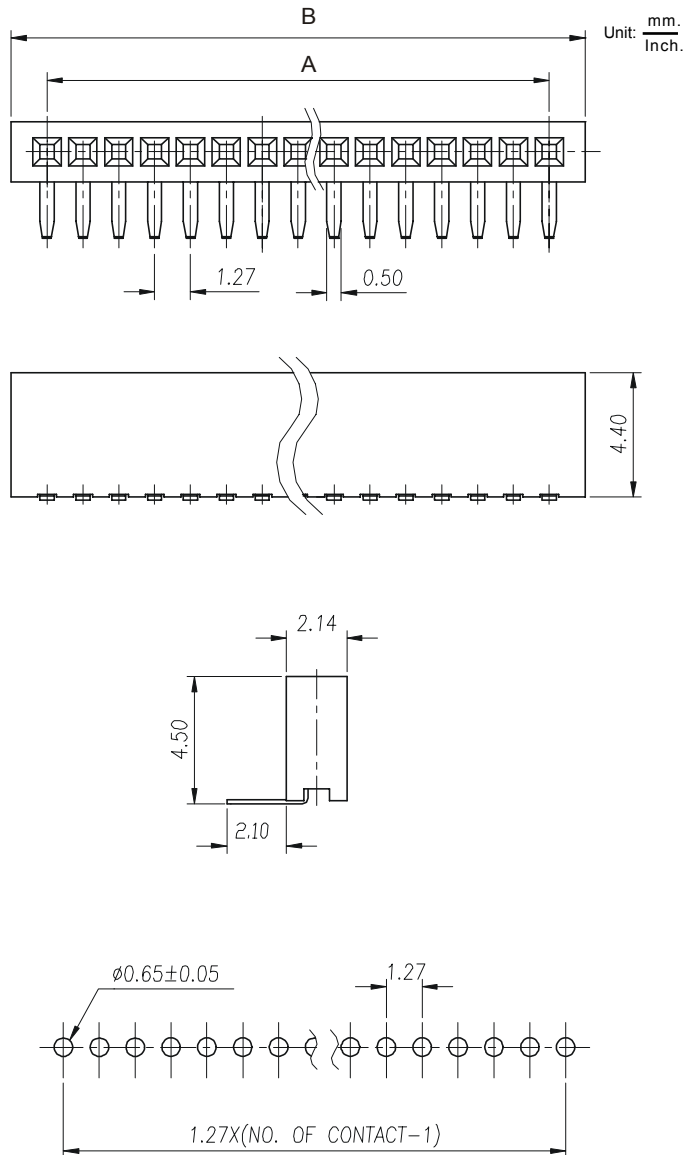


1371 SERIES. 1.27mm(0.050"). Single Row Right Angle Header

Features

- Available in 4 through 50 circuits
- Insulator: Thermoplastic UL 94V-0. Contact: Copper alloy
- Mates with 1.27mm pitch and 0.40mm square or round pin header
- Profile: 2.14mm
- High density 1.27mm pitch
- High reliability contact
- For other options consult the Sales Office

Dimensional Information



RECOMMENDED HOLE PATTERN

Ordering and Dimensional Information

Circuit Size	Part Number	Dimensions	
		A	B
04	1371-T041	3,81(0,150)	6,35(0,250)
05	1371-T051	5,08(0,200)	7,62(0,300)
06	1371-T061	6,35(0,250)	8,89(0,350)
07	1371-T071	7,62(0,300)	10,16(0,400)
08	1371-T081	8,89(0,350)	11,43(0,450)
09	1371-T091	10,16(0,400)	12,70(0,500)
10	1371-T101	11,43(0,450)	13,97(0,550)
11	1371-T111	12,70(0,500)	15,24(0,600)
12	1371-T121	13,97(0,550)	16,51(0,650)
13	1371-T131	15,24(0,600)	17,78(0,700)
14	1371-T141	16,51(0,650)	19,05(0,750)
15	1371-T151	17,78(0,700)	20,32(0,800)
16	1371-T161	19,05(0,750)	21,59(0,850)
17	1371-T171	20,32(0,800)	22,86(0,900)
18	1371-T181	21,59(0,850)	24,13(0,950)
19	1371-T191	22,86(0,900)	25,40(1,000)
20	1371-T201	24,13(0,950)	26,67(1,050)
21	1371-T211	25,40(1,000)	27,94(1,100)
22	1371-T221	26,67(1,050)	29,21(1,150)
23	1371-T231	27,94(1,100)	30,48(1,200)
24	1371-T241	29,21(1,150)	31,75(1,250)
25	1371-T251	30,48(1,200)	33,02(1,300)
26	1371-T261	31,75(1,250)	34,29(1,350)
27	1371-T271	33,02(1,300)	35,56(1,400)
28	1371-T281	34,29(1,350)	36,83(1,450)
29	1371-T291	35,56(1,400)	38,10(1,500)
30	1371-T301	36,83(1,450)	39,37(1,550)
31	1371-T311	38,10(1,500)	40,64(1,600)
32	1371-T321	39,37(1,550)	41,91(1,650)
33	1371-T331	40,64(1,600)	43,18(1,700)
34	1371-T341	41,91(1,650)	44,45(1,750)
35	1371-T351	43,18(1,700)	45,72(1,800)
36	1371-T361	44,45(1,750)	46,99(1,850)
37	1371-T371	45,72(1,800)	48,26(1,900)
38	1371-T381	46,99(1,850)	49,53(1,950)
39	1371-T391	48,26(1,900)	50,80(2,000)
40	1371-T401	49,53(1,950)	52,07(2,050)
41	1371-T411	50,80(2,000)	53,34(2,100)
42	1371-T421	52,07(2,050)	54,61(2,150)
43	1371-T431	53,34(2,100)	55,88(2,200)
44	1371-T441	54,61(2,150)	57,15(2,250)
45	1371-T451	55,88(2,200)	58,42(2,300)
46	1371-T461	57,15(2,250)	59,69(2,350)
47	1371-T471	58,42(2,300)	60,96(2,400)
48	1371-T481	59,69(2,350)	62,23(2,450)
49	1371-T491	60,96(2,400)	63,50(2,500)
50	1371-T501	62,23(2,450)	64,77(2,550)

T = Contact Plating

- T = 13. Selective gold flash over 50μ" nickel
Recommended Finish
- T = 14. 10μ" selective gold over 50μ" nickel
- T = 16. 30μ" selective gold over 50μ" nickel