

1.27mm SINGLE ROW FEMALE HEADER

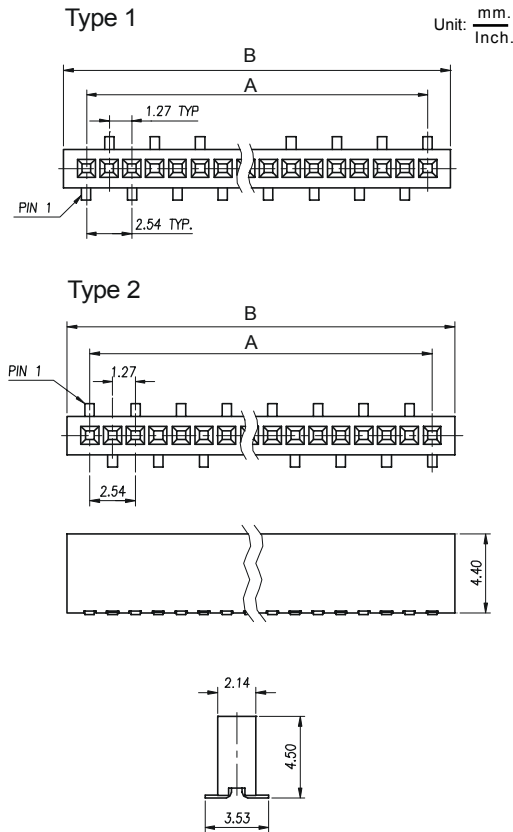


1372 SERIES. 1.27mm(0.050"). SMT

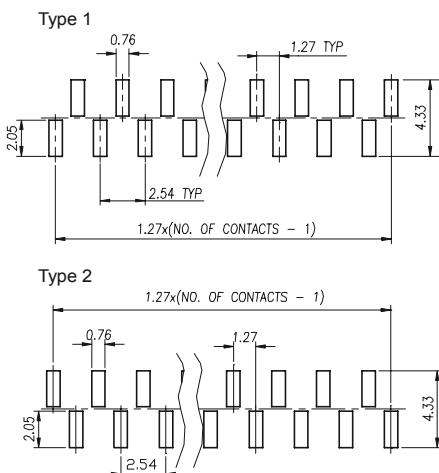
Features

- Available in 4 through 50 circuits
- Insulator Material: Thermoplastic UL 94V-0
- Mates with 1.27mm pitch and 0.40mm square or round pin header
- Contact Material: Copper alloy
- High density 1.27mm
- High reliability contact
- For other options consult the Sales office

Dimensional information



RECOMMENDED PCB LAYOUT



Ordering and Dimensional Information

Circuit Size	Part Number		Dimensions	
	Type 1	Type 2	A	B
04	1372-T041	1372-T042	3,81(0,150)	6,35(0,250)
05	1372-T051	1372-T052	5,08(0,200)	7,62(0,300)
06	1372-T061	1372-T062	6,35(0,250)	8,89(0,350)
07	1372-T071	1372-T072	7,62(0,300)	10,16(0,400)
08	1372-T081	1372-T082	8,89(0,350)	11,43(0,450)
09	1372-T091	1372-T092	10,16(0,400)	12,70(0,500)
10	1372-T101	1372-T102	11,43(0,450)	13,97(0,550)
11	1372-T111	1372-T112	12,70(0,500)	15,24(0,600)
12	1372-T121	1372-T122	13,97(0,550)	16,51(0,650)
13	1372-T131	1372-T132	15,24(0,600)	17,78(0,700)
14	1372-T141	1372-T142	16,51(0,650)	19,05(0,750)
15	1372-T151	1372-T152	17,78(0,700)	20,32(0,800)
16	1372-T161	1372-T162	19,05(0,750)	21,59(0,850)
17	1372-T171	1372-T172	20,32(0,800)	22,86(0,900)
18	1372-T181	1372-T182	21,59(0,850)	24,13(0,950)
19	1372-T191	1372-T192	22,86(0,900)	25,40(1,000)
20	1372-T201	1372-T202	24,13(0,950)	26,67(1,050)
21	1372-T211	1372-T212	25,40(1,000)	27,94(1,100)
22	1372-T221	1372-T222	26,67(1,050)	29,21(1,150)
23	1372-T231	1372-T232	27,94(1,100)	30,48(1,200)
24	1372-T241	1372-T242	29,21(1,150)	31,75(1,250)
25	1372-T251	1372-T252	30,48(1,200)	33,02(1,300)
26	1372-T261	1372-T262	31,75(1,250)	34,29(1,350)
27	1372-T271	1372-T272	33,02(1,300)	35,56(1,400)
28	1372-T281	1372-T282	34,29(1,350)	36,83(1,450)
29	1372-T291	1372-T292	35,56(1,400)	38,10(1,500)
30	1372-T301	1372-T302	36,83(1,450)	39,37(1,550)
31	1372-T311	1372-T312	38,10(1,500)	40,64(1,600)
32	1372-T321	1372-T322	39,37(1,550)	41,91(1,650)
33	1372-T331	1372-T332	40,64(1,600)	43,18(1,700)
34	1372-T341	1372-T342	41,91(1,650)	44,45(1,750)
35	1372-T351	1372-T352	43,18(1,700)	45,72(1,800)
36	1372-T361	1372-T362	44,45(1,750)	46,99(1,850)
37	1372-T371	1372-T372	45,72(1,800)	48,26(1,900)
38	1372-T381	1372-T382	46,99(1,850)	49,53(1,950)
39	1372-T391	1372-T392	48,26(1,900)	50,80(2,000)
40	1372-T401	1372-T402	49,53(1,950)	52,07(2,050)
41	1372-T411	1372-T412	50,80(2,000)	53,34(2,100)
42	1372-T421	1372-T422	52,07(2,050)	54,61(2,150)
43	1372-T431	1372-T432	53,34(2,100)	55,88(2,200)
44	1372-T441	1372-T442	54,61(2,150)	57,15(2,250)
45	1372-T451	1372-T452	55,88(2,200)	58,42(2,300)
46	1372-T461	1372-T462	57,15(2,250)	59,69(2,350)
47	1372-T471	1372-T472	58,42(2,300)	60,96(2,400)
48	1372-T481	1372-T482	59,69(2,350)	62,23(2,450)
49	1372-T491	1372-T492	60,96(2,400)	63,50(2,500)
50	1372-T501	1372-T502	62,23(2,450)	64,77(2,550)

T = Contact Plating

- T = 13. Selective gold flash over 50μ" nickel
- T = 14. 10μ" selective gold over 50μ" nickel
- T = 16. 30μ" selective gold over 50μ" nickel

Recommended Finish