

FEMALE HEADER FOR FLAT CABLE

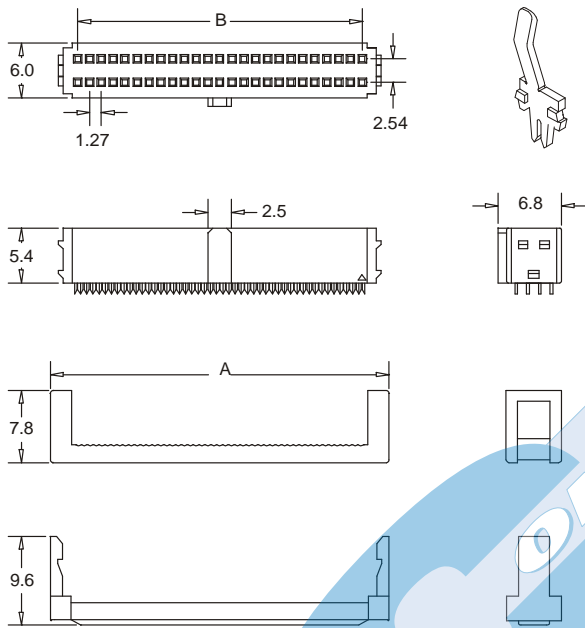


1541 SERIE. 1.27 x 2.54 mm. (0.050 x 0.100").

Features

- Available in 10, 14, 16, 20, 26, 30, 34, 40, 50, 60, 68, 70, 80, 90 and 100 circuits
- Mates with male header 1.27 x 2.54 mm 1542, 1543, 1544, 1551, 1552, 1553 serie. 0.46 mm square pin
- Phosphor bronze terminal
- Insulator material: polyester glass filled UL 94V-0
- Available in different plating
- Dielectric rigidity: 500V AC
- Flat cable 0.635 mm assembly 9063 serie

Dimensional information:



Ordering and dimensional information:

Circuit Size	Part Number	Dimensions	
		A	B
10	1541 - T010	5.08 (0.200)	11.20 (0.441)
14	1541 - T014	7.62 (0.300)	13.74 (0.541)
16	1541 - T016	8.89 (0.350)	15.01 (0.591)
20	1541 - T020	11.43 (0.450)	17.55 (0.688)
26	1541 - T026	15.24 (0.600)	21.36 (0.841)
30	1541 - T030	17.78 (0.700)	23.90 (0.938)
34	1541 - T034	20.32 (0.800)	26.44 (1.041)
40	1541 - T040	24.13 (0.950)	30.25 (1.188)
50	1541 - T050	30.48 (1.200)	36.60 (1.438)
60	1541 - T060	36.83 (1.450)	42.95 (1.688)
68	1541 - T068	41.91 (1.650)	48.03 (1.891)
70	1541 - T070	43.18 (1.700)	49.30 (1.938)
80	1541 - T080	49.53 (1.950)	55.65 (2.188)
90	1541 - T090	55.88 (2.200)	62.00 (2.438)
100	1541 - T100	62.23 (2.450)	68.35 (2.691)

T = Contact Plating

- T = 2. Tin plated.
- T = 3. Gold flash over 50µ" nickel
Recommended Finish
- T = 5. 15µ" gold over 50µ" nickel
- T = 6. 30µ" gold over 50µ" nickel

