

# MALE RIGHT ANGLE POLARISED HEADER

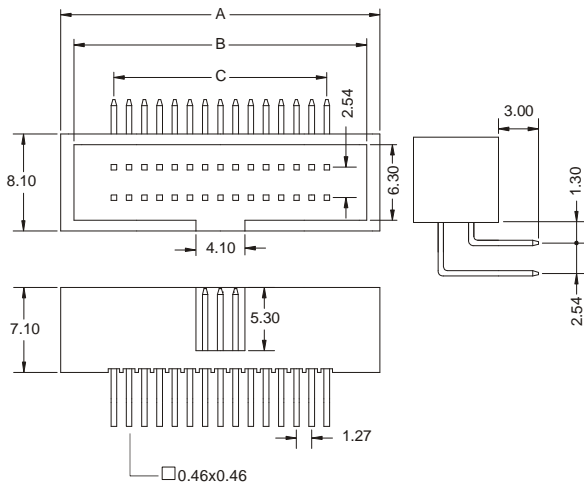


## 1544 SERIE. 1.27 x 2.54 mm. (0.050 x 0.100"). Low profile

### Features

- Available in 10, 14, 16, 20, 26, 30, 34, 40, 50, 60, 68, 70, 80, 90 and 100 circuits
- Mates with female header 1541
- 0.46 mm square pin in phosphor bronze
- Different plating options are available
- Insulator material: polyester glass filled UL 94V-0
- Completely polarised

### Dimensional information:



### Ordering and dimensional information:

Circuit Size	Part Number	Dimensions		
		A	B	C
10	1544 - T010	13.95 (0.549)	11.75 (0.462)	5.08 (0.200)
14	1544 - T014	16.49 (0.649)	14.20 (0.559)	7.62 (0.300)
16	1544 - T016	17.76 (0.699)	15.36 (0.605)	8.89 (0.350)
20	1544 - T020	20.30 (0.800)	18.10 (0.712)	11.43 (0.450)
26	1544 - T026	24.11 (0.949)	21.91 (0.862)	15.24 (0.600)
30	1544 - T030	26.65 (1.049)	24.45 (0.962)	17.78 (0.700)
34	1544 - T034	29.19 (1.149)	26.99 (1.062)	20.32 (0.800)
40	1544 - T040	33.00 (1.299)	30.80 (1.212)	24.13 (0.950)
50	1544 - T050	39.35 (1.549)	37.15 (1.462)	30.48 (1.200)
60	1544 - T060	45.70 (1.799)	43.50 (1.712)	36.83 (1.450)
68	1544 - T068	50.78 (1.999)	48.58 (1.912)	41.91 (1.650)
70	1544 - T070	52.05 (2.049)	49.85 (1.962)	43.18 (1.700)
80	1544 - T080	58.40 (2.299)	56.20 (2.212)	49.53 (1.950)
90	1544 - T090	64.75 (2.549)	62.55 (2.462)	55.88 (2.200)
100	1544 - T100	71.10 (2.799)	68.90 (2.712)	62.23 (2.450)

### T = Contact Plating

- T = 2. Tin plated.
- T = 3. Gold flash over 50µm nickel  
Recommended Finish
- T = 5. 15µm gold over 50µm nickel
- T = 6. 30µm gold over 50µm nickel

