

MALE STRAIGHT HEADER EXTRACTOR SMT



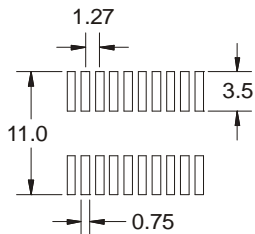
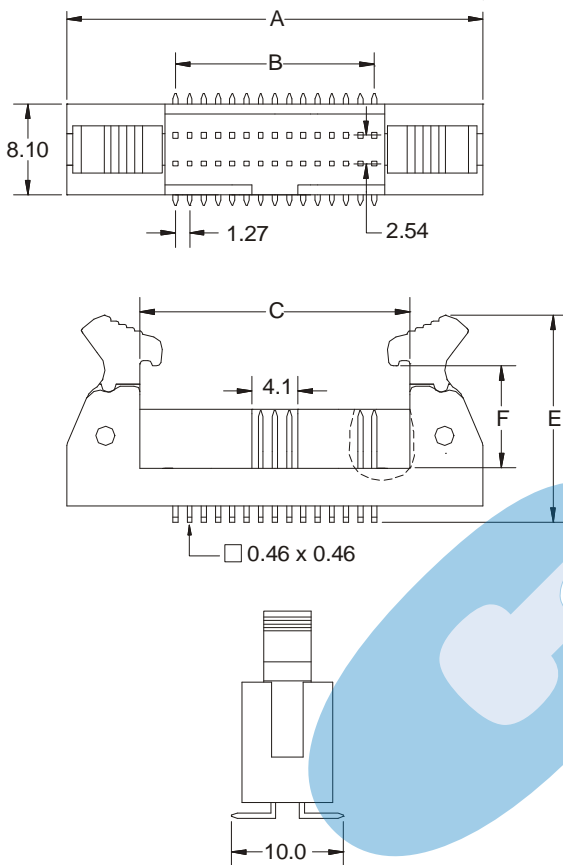
1553 SERIE. 1.27 x 2.54 mm. (0.050 x 0.100"). For PCB solder

Features

- Available in 10, 20, 26, 30, 34, 40, 50, 60, 68, 70, 80, 90 and 100 circuits
- Insulator material: Polyester glass filled UL 94V-0
- 0.46 mm square pin in phosphor bronze with different plating options

- Mates with female header series 1541
- Available with short or long type extractors
- Fully shrouded. Provides fast connection / disconnection of Flat cable assembly

Dimensional information:



MECANIZADO RECOMENDADO

Ordering and dimensional information:

| Circuit Size | Part Number | Dimensions | | |
|--------------|-------------|---------------|---------------|---------------|
| | | A | B | C |
| 10 | 1553-T10X | 24.50 (0.964) | 5.08 (0.200) | 11.46 (0.451) |
| 20 | 1553-T20X | 30.85 (1.214) | 11.43 (0.450) | 17.81 (0.701) |
| 26 | 1553-T26X | 34.66 (1.364) | 15.24 (0.600) | 21.62 (0.851) |
| 30 | 1553-T30X | 37.20 (1.464) | 17.78 (0.700) | 24.16 (0.951) |
| 34 | 1553-T34X | 39.74 (1.564) | 20.32 (0.800) | 26.70 (1.051) |
| 40 | 1553-T40X | 43.55 (1.714) | 24.13 (0.950) | 30.51 (1.201) |
| 50 | 1553-T50X | 49.90 (1.964) | 30.48 (1.200) | 36.86 (1.451) |
| 60 | 1553-T60X | 56.25 (2.214) | 36.83 (1.450) | 43.21 (1.701) |
| 68 | 1553-T68X | 61.33 (2.414) | 41.91 (1.650) | 48.29 (1.901) |
| 70 | 1553-T70X | 62.60 (2.464) | 43.18 (1.700) | 49.56 (1.951) |
| 80 | 1553-T80X | 68.95 (2.714) | 49.53 (1.950) | 55.91 (2.201) |
| 90 | 1553-T90X | 75.30 (2.965) | 55.88 (2.200) | 62.26 (2.451) |
| 100 | 1553-T00X | 81.85 (3.222) | 62.23 (2.450) | 68.61 (2.701) |

T = Contact Plating

- T = 2. Tin plated.
- T = 3. Gold flash over 50µ" nickel
Recommended Finish
- T = 5. 15µ" gold over 50µ" nickel
- T = 6. 30µ" gold over 50µ" nickel

X = Extractor type

- X = 1. Short. For use without strain relief
- X = 2. Long. For use with strain relief

| DIMENSIONS | E | F |
|-----------------|-------|-------|
| Short expulsor | 17.00 | 8.00 |
| Lenght expulsor | 18.50 | 10.65 |

