

# STRAIGHT POLARIZED HEADER

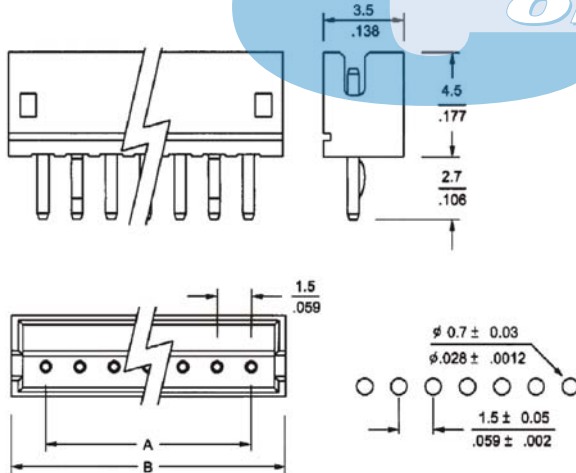


## 1571 SERIE 1.50 mm (0.059"). For PCB solder

### Features

- Available in 2 through 13 circuits
- Insulator material: Nylon 6/6 UL 94V-0
- Tinned brass conductor
- Mates with 1570 serie
- Low profil

### Dimensional Information



### Ordering and Dimensional Information

Circuit Size	Part Number	Dimensions	
		A	B
02	<b>1571-2021</b>	1,50(0,059)	4,50(0,177)
03	<b>1571-2031</b>	3,00(0,118)	6,00(0,236)
04	<b>1571-2041</b>	4,50(0,177)	7,50(0,295)
05	<b>1571-2051</b>	6,00(0,236)	9,00(0,354)
06	<b>1571-2061</b>	7,50(0,295)	10,50(0,413)
07	<b>1571-2071</b>	9,00(0,354)	12,00(0,472)
08	<b>1571-2081</b>	10,50(0,413)	13,50(0,531)
09	<b>1571-2091</b>	12,00(0,472)	15,00(0,591)
10	<b>1571-2101</b>	13,50(0,531)	16,50(0,650)
11	<b>1571-2111</b>	15,00(0,591)	18,00(0,709)
12	<b>1571-2121</b>	16,50(0,650)	19,50(0,768)
13	<b>1571-2131</b>	18,00(0,709)	21,00(0,827)