

1.00mm VERTICAL DIP LIF CONNECTOR

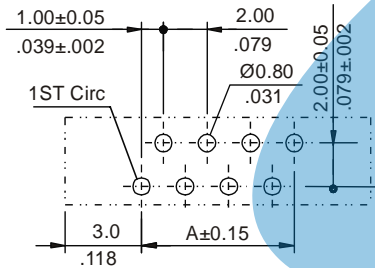
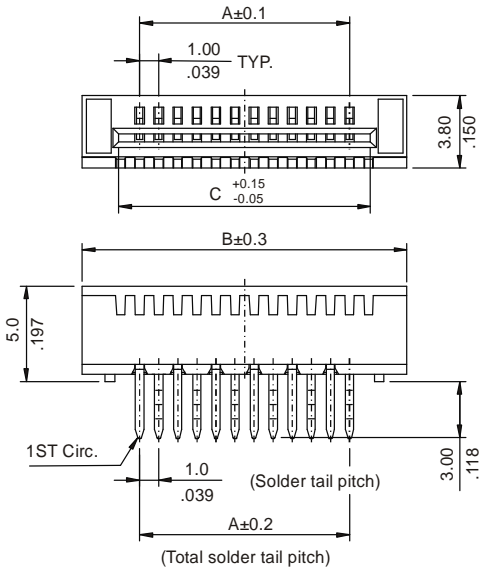


1762 SERIES. 1.00mm(0.039"). For PCB Solder

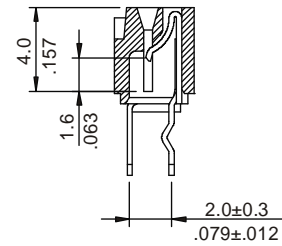
Features

- Available in 4 through 32 circuits
- Insulator Material: nylon 6T UL 94V-0
- Contact Material: Phosphor Bronze
- Low insertion force and high contact pressure
- Applicable FPC and FFC: Thickness 0.30 mm(.012")

Dimensional Information

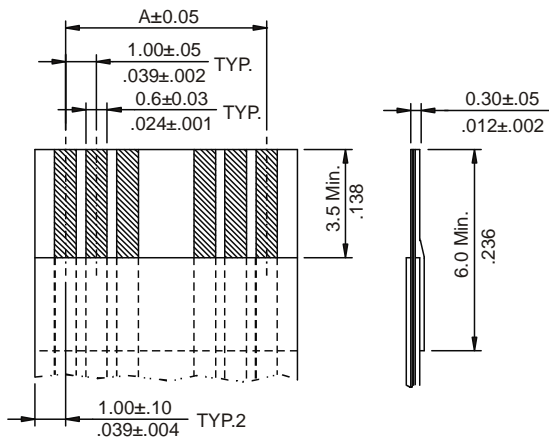


Recommended P.C. Board Layout

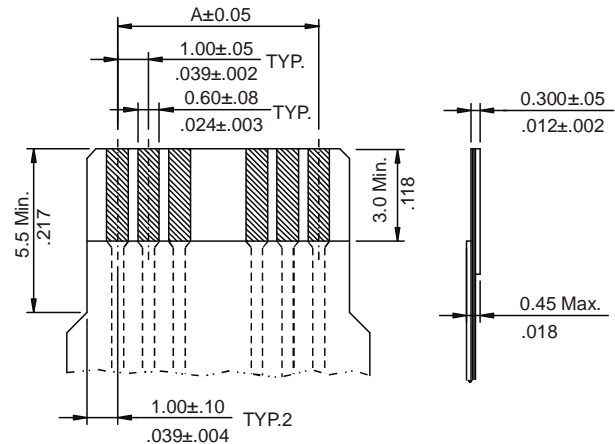


Ordering and Dimensional Information

Circuit Size	Part Number	Dimensions		
		A	B	C
04	1762-2041	3,00(0,118)	10,20(0,402)	5,20(0,205)
05	1762-2051	4,00(0,157)	11,20(0,441)	6,20(0,244)
06	1762-2061	5,00(0,197)	12,20(0,480)	7,20(0,283)
07	1762-2071	6,00(0,236)	13,20(0,520)	8,20(0,323)
08	1762-2081	7,00(0,276)	14,20(0,559)	9,20(0,362)
09	1762-2091	8,00(0,315)	15,20(0,598)	10,20(0,402)
10	1762-2101	9,00(0,354)	16,20(0,638)	11,20(0,441)
11	1762-2111	10,00(0,394)	17,20(0,677)	12,20(0,480)
12	1762-2121	11,00(0,433)	18,20(0,717)	13,20(0,520)
13	1762-2131	12,00(0,472)	19,20(0,756)	14,20(0,559)
14	1762-2141	13,00(0,512)	20,20(0,795)	15,20(0,598)
15	1762-2151	14,00(0,551)	21,20(0,835)	16,20(0,638)
16	1762-2161	15,00(0,591)	22,20(0,874)	17,20(0,677)
17	1762-2171	16,00(0,630)	23,20(0,913)	18,20(0,717)
18	1762-2181	17,00(0,669)	24,20(0,953)	19,20(0,756)
19	1762-2191	18,00(0,709)	25,20(0,992)	20,20(0,795)
20	1762-2201	19,00(0,748)	26,20(1,031)	21,20(0,835)
21	1762-2211	20,00(0,787)	27,20(1,071)	22,20(0,874)
22	1762-2221	21,00(0,827)	28,20(1,110)	23,20(0,913)
23	1762-2231	22,00(0,866)	29,20(1,150)	24,20(0,953)
24	1762-2241	23,00(0,906)	30,20(1,189)	25,20(0,992)
25	1762-2251	24,00(0,945)	31,20(1,228)	26,20(1,031)
26	1762-2261	25,00(0,984)	32,20(1,268)	27,20(1,071)
27	1762-2271	26,00(1,024)	33,20(1,307)	28,20(1,110)
28	1762-2281	27,00(1,063)	34,20(1,346)	29,20(1,150)
29	1762-2291	28,00(1,102)	35,20(1,386)	30,20(1,189)
30	1762-2301	29,00(1,142)	36,20(1,425)	31,20(1,228)
31	1762-2311	30,00(1,181)	37,20(1,465)	32,20(1,268)
32	1762-2321	31,00(1,220)	38,20(1,504)	33,20(1,307)



* ACCOMMODATED FFC



* ACCOMMODATED FPC