

STRAIGHT POLARISED HEADER

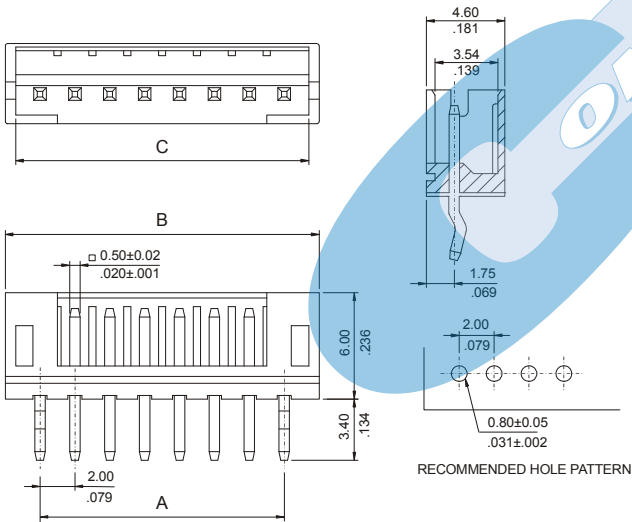


2011 SERIES. 2.00mm(0.079"). For PCB Solder

Features

- Available in 2 through 16 circuits
- Insulator Material: Nylon 6/6 UL 94V-0
- Fully shrouded. With polarised slot
- 0.50mm(0.020") square pin in copper alloy
- Mates with 2010 series socket
- Low profile

Dimensional Information



Ordering and Dimensional Information

Circuit Size	Part Number	Dimensions		
		A	B	C
02	2011-2021	2,00(0,079)	6,00(0,236)	4,70(0,185)
03	2011-2031	4,00(0,157)	8,00(0,315)	6,70(0,264)
04	2011-2041	6,00(0,236)	10,00(0,394)	8,70(0,343)
05	2011-2051	8,00(0,315)	12,00(0,472)	10,70(0,421)
06	2011-2061	10,00(0,394)	14,00(0,551)	12,70(0,500)
07	2011-2071	12,00(0,472)	16,00(0,630)	14,70(0,579)
08	2011-2081	14,00(0,551)	18,00(0,709)	16,70(0,657)
09	2011-2091	16,00(0,630)	20,00(0,787)	18,70(0,736)
10	2011-2101	18,00(0,709)	22,00(0,866)	20,70(0,815)
11	2011-2111	20,00(0,787)	24,00(0,945)	22,70(0,894)
12	2011-2121	22,00(0,866)	26,00(1,024)	24,70(0,972)
13	2011-2131	24,00(0,945)	28,00(1,102)	26,70(1,051)
14	2011-2141	26,00(1,024)	30,00(1,181)	28,70(1,130)
15	2011-2151	28,00(1,102)	32,00(1,260)	30,70(1,209)
16	2011-2161	30,00(1,102)	34,00(1,338)	32,70(1,287)