

WIRE TRAP CONNECTOR



2025 SERIES. 2.00mm(0.079"). Wire Trap Connector

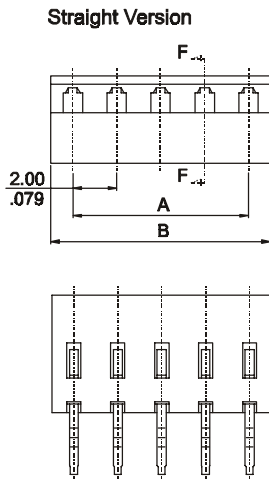
Features

- Available in 2 through 15 circuits
- Low profile
- Insulator Material: Glass filled polyester UL 94V-0
- Contact Material: Phosphor bronze
- Plating: Tin plated
- Mates with AWG 24 top coated or solid conductor

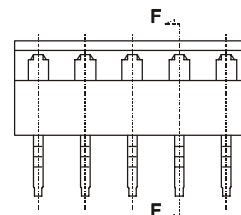
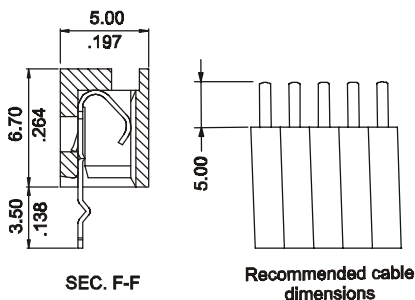
Dimensional Information

Ordering and Dimensional Information

Unit: $\frac{\text{mm.}}{\text{Inch.}}$



Circuit Size	Part Number		Dimensions	
	Straight	Right Angle	A	B
02	2025-2021	2025-2022	2,00(0,079)	4,60 (0,181)
03	2025-2031	2025-2032	4,00(0,157)	6,60 (0,260)
04	2025-2041	2025-2042	6,00(0,236)	8,60 (0,339)
05	2025-2051	2025-2052	8,00(0,315)	10,60 (0,417)
06	2025-2061	2025-2062	10,00(0,394)	12,60 (0,496)
07	2025-2071	2025-2072	12,00(0,472)	14,60 (0,575)
08	2025-2081	2025-2082	14,00(0,551)	16,60 (0,654)
09	2025-2091	2025-2092	16,00(0,630)	18,60 (0,732)
10	2025-2101	2025-2102	18,00(0,709)	20,60 (0,811)
11	2025-2111	2025-2112	20,00(0,787)	22,60 (0,890)
12	2025-2121	2025-2122	22,00(0,866)	24,60 (0,969)
13	2025-2131	2025-2132	24,00(0,945)	26,60 (1,047)
14	2025-2141	2025-2142	26,00(1,024)	28,60 (1,126)
15	2025-2151	2025-2152	28,00(1,102)	30,60 (1,205)



Right Angle Version

