

DUAL ROW RIGHT ANGLE HEADER

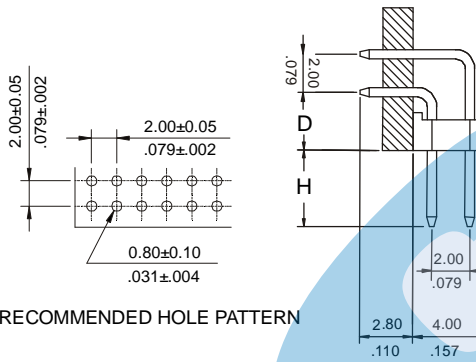
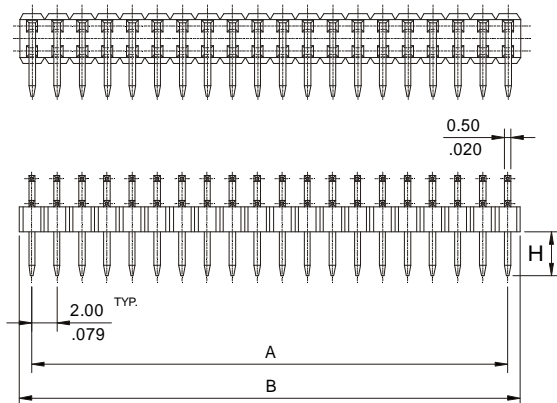


2027 SERIES. 2.00mm(0.079"). For PCB Solder

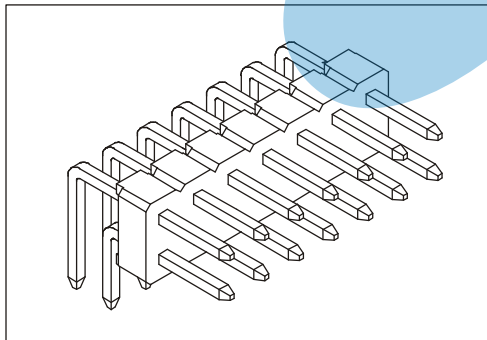
Features

- Available in 4 through 80 circuits
- Mates with 2.00mm(.079") dual row sockets
- Material: Glass filled polyester UL 94V-0. Colour: Black
- 0.50mm(.020") square pin in copper alloy
- Different pin length and plating options are available
- Without polarisation
- Easy breakaway to desired circuit size
- For other options consult the Sales Office

Dimensional Information



RECOMMENDED HOLE PATTERN



C = Pin Length

- C = 1. Dim. H = 4.00 mm. ; D=3.15 mm.
Recommended Option
- C = 2. Dim. H = 3.50 mm. ; D=3.15 mm.
- C = 3. Dim. H = 4.00mm. ; D=2.25 mm.
- C = 4. Dim. H = 4.00 mm. ; D=1.50 mm.
- C = 5. Dim. H = 12.00 mm. ; D=3.15 mm.

Ordering and Dimensional Information

Circuit Size	Part Number	Dimensions	
		A	B
04	2027 - T04C	2,00(0,079)	4,00(0,157)
06	2027 - T06C	4,00(0,157)	6,00(0,236)
08	2027 - T08C	6,00(0,236)	8,00(0,315)
10	2027 - T10C	8,00(0,315)	10,00(0,394)
12	2027 - T12C	10,00(0,394)	12,00(0,472)
14	2027 - T14C	12,00(0,472)	14,00(0,551)
16	2027 - T16C	14,00(0,551)	16,00(0,630)
18	2027 - T18C	16,00(0,630)	18,00(0,709)
20	2027 - T20C	18,00(0,709)	20,00(0,787)
22	2027 - T22C	20,00(0,787)	22,00(0,866)
24	2027 - T24C	22,00(0,866)	24,00(0,945)
26	2027 - T26C	24,00(0,945)	26,00(1,024)
28	2027 - T28C	26,00(1,024)	28,00(1,102)
30	2027 - T30C	28,00(1,102)	30,00(1,181)
32	2027 - T32C	30,00(1,181)	32,00(1,260)
34	2027 - T34C	32,00(1,260)	34,00(1,339)
36	2027 - T36C	34,00(1,339)	36,00(1,417)
38	2027 - T38C	36,00(1,417)	38,00(1,496)
40	2027 - T40C	38,00(1,496)	40,00(1,575)
42	2027 - T42C	40,00(1,575)	42,00(1,654)
44	2027 - T44C	42,00(1,654)	44,00(1,732)
46	2027 - T46C	44,00(1,732)	46,00(1,811)
48	2027 - T48C	46,00(1,811)	48,00(1,890)
50	2027 - T50C	48,00(1,890)	50,00(1,969)
52	2027 - T52C	50,00(1,969)	52,00(2,047)
54	2027 - T54C	52,00(2,047)	54,00(2,126)
56	2027 - T56C	54,00(2,126)	56,00(2,205)
58	2027 - T58C	56,00(2,205)	58,00(2,283)
60	2027 - T60C	58,00(2,283)	60,00(2,362)
62	2027 - T62C	60,00(2,362)	62,00(2,441)
64	2027 - T64C	62,00(2,441)	64,00(2,520)
66	2027 - T66C	64,00(2,520)	66,00(2,598)
68	2027 - T68C	66,00(2,598)	68,00(2,677)
70	2027 - T70C	68,00(2,677)	70,00(2,756)
72	2027 - T72C	70,00(2,756)	72,00(2,835)
74	2027 - T74C	72,00(2,835)	74,00(2,913)
76	2027 - T76C	74,00(2,913)	76,00(2,992)
78	2027 - T78C	76,00(2,992)	78,00(3,071)
80	2027 - T80C	78,00(3,071)	80,00(3,150)

T = Contact Plating

- T = 2. Tinplated
- T = 3. Gold flash over 50µ" nickel
Recommended Finish
- T = 5. 15µ" gold over 50µ" nickel
- T = 6. 30µ" gold over 50µ" nickel
- T = 13. Selective gold flash over 50µ" nickel
- T = 15. 15µ" selective gold over 50µ" nickel
- T = 16. 30µ" selective gold over 50µ" nickel