

FLAT CABLE IDC SOCKET

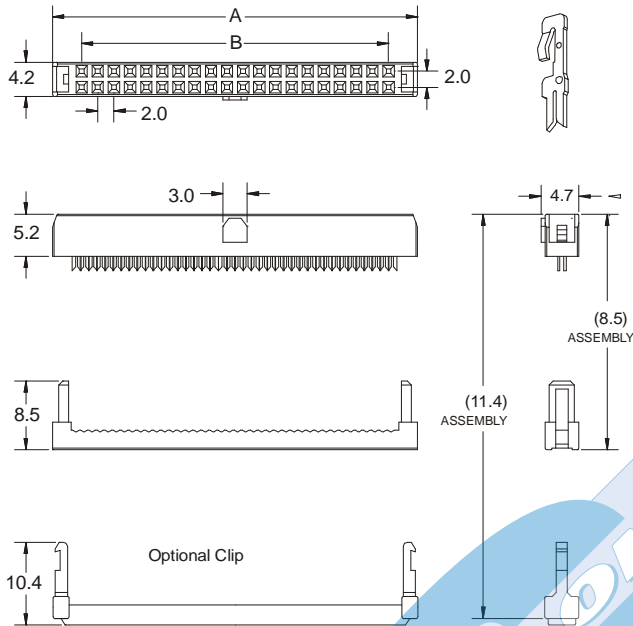


2040 SERIES. 2.00 x 2.00mm(0.079 x 0.079"). IDC Socket

Features

- Available in 14,16, 20, 22, 26, 30, 34, 36, 40, 44, 50 and 68 circuits
- Contact Material: Phosphor bronze
- Different plating options are available
- Insulator Material: Glass filled Polyester UL 94V-0
- Accepts male connectors series: 4444, 4451, 4452, 4453, 4446, 4447, 4443, 4439, 4440, 4441, 4442 and 4448
- Accepts 9100 series, 1.00mm flat ribbon cable
- Optional: Strain Relief (2040 - 00XX series)

Dimensional Information



Serie: 2040 00XX
XX = Nº circuits

Ordering and Dimensional Information

CIRCUITOS	CÓDIGO	DIMENSIONES	
		A	B
14	2040-T142	19,10(0.751)	12,00(0.472)
16	2040-T162	21,10 (0.830)	14,00(0.551)
20	2040-T202	25,10(0.988)	18,00(0.709)
22	2040-T222	27,10 (1.067)	20,00(0.787)
26	2040-T262	31,10(1.224)	24,00(0.945)
30	2040-T302	35,10 (1.382)	28,00(1.102)
34	2040-T342	39,10(1.461)	32,00(1.260)
36	2040-T362	41,10 (1.618)	34,00 (1.339)
40	2040-T402	45,10(1.776)	38,00(1.496)
44	2040-T442	49,10(1.933)	42,00(1.654)
50	2040-T502	55,10(2.170)	48,00(1.890)
68	2040-T682	73,10 (2.878)	66,00 (2.598)

T = Contact Plating

- T = 2. Tin plated
- T = 3. Gold flash over 50µ" nickel
Recommended Finish
- T = 5. 15µ" gold over 50µ" nickel
- T = 6. 30µ" gold over 50µ" nickel

