

BOARD IN TERMINAL



2116 & 2117 SERIES. For PCB Solder

Features

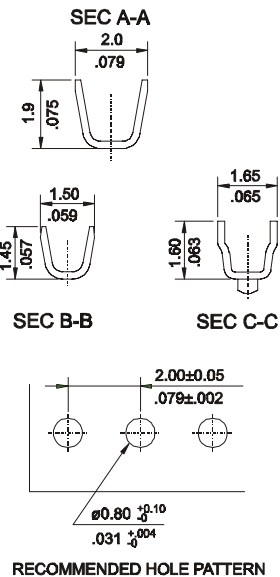
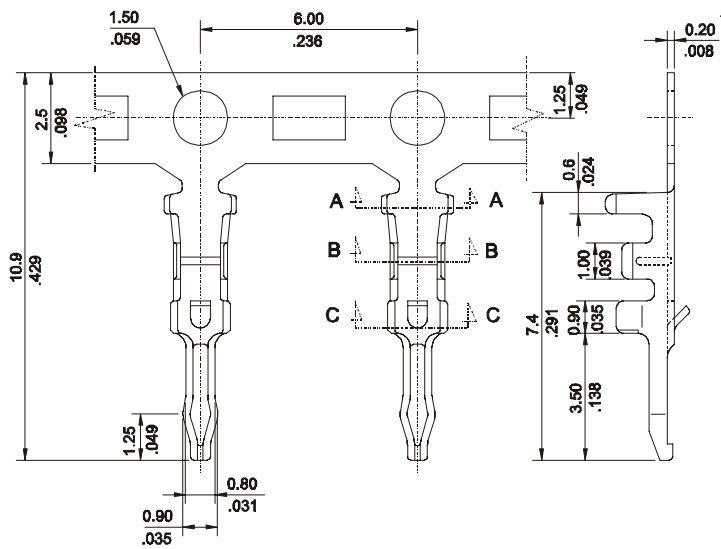
- Can be used in 2115 connector
- 2116 (straight version) 2117 (right angle version)
- Applicable wire AWG 24-30
- Material: Copper alloy
- Directly soldered on PCB
- Maximum insulation diameter: 1.60mm(0.063") Max.
- Applicable PC board thickness: 1.60mm

Dimensional Information

Ordering and Dimensional Information

Reel Quantity	Version	Part Number	Material	Wire Ranges	Insulation Diameter
10,000 Pcs (Reel)	Straight	2116 - 2000	Brass tinned	AWG 24 - 30	1.60(0.063") Max.
Loose Piece	Straight	2116 - 2001	Brass tinned	AWG 24 - 30	1.60(0.063") Max.
10,000 Pcs (Reel)	Right angle	2117 - 2000	Brass tinned	AWG 24 - 30	1.60(0.063") Max.
Loose Piece	Right angle	2117 - 2001	Brass tinned	AWG 24 - 30	1.60(0.063") Max.

2116 Series



2117 Series

