

# 2.00mm QUAD ROW STRAIGHT HEADER



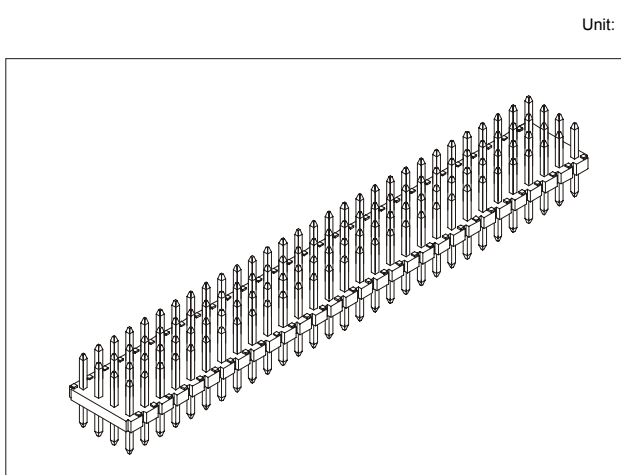
## 2170 SERIES. 2.00mm(0.079"). For PCB Solder.

### Features

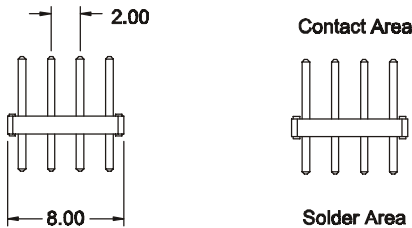
- Available in 24 through 120 circuits
- Insulator Material: Polyester 6/6 UL 94V-0
- Contact Material: Copper alloy
- Different pin length and plating options are available
- 0.50mm square pin
- Standoffs facilitate post soldering clean
- Mates with 2171 series female header
- For other options consult the Sales Office

### Dimensional Information

### Ordering and Dimensional Information

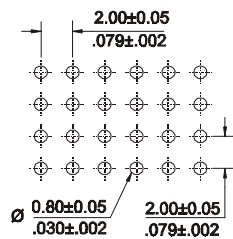


Unit:  $\frac{\text{mm.}}{\text{Inch.}}$



Circuit Size	Part Number	Dimensions	
		A	B
24	2170-T061	10,00(0,394)	12,00(0,472)
28	2170-T071	12,00(0,472)	14,00(0,551)
32	2170-T081	14,00(0,551)	16,00(0,630)
36	2170-T091	16,00(0,630)	18,00(0,709)
40	2170-T101	18,00(0,709)	20,00(0,787)
44	2170-T111	20,00(0,787)	22,00(0,866)
48	2170-T121	22,00(0,866)	24,00(0,945)
52	2170-T131	24,00(0,945)	26,00(1,024)
56	2170-T141	26,00(1,024)	28,00(1,102)
60	2170-T151	28,00(1,102)	30,00(1,181)
64	2170-T161	30,00(1,181)	32,00(1,260)
68	2170-T171	32,00(1,260)	34,00(1,339)
72	2170-T181	34,00(1,339)	36,00(1,417)
76	2170-T191	36,00(1,417)	38,00(1,496)
80	2170-T201	38,00(1,496)	40,00(1,575)
84	2170-T211	40,00(1,575)	42,00(1,654)
88	2170-T221	42,00(1,654)	44,00(1,732)
92	2170-T231	44,00(1,732)	46,00(1,811)
96	2170-T241	46,00(1,811)	48,00(1,890)
100	2170-T251	48,00(1,890)	50,00(1,969)
104	2170-T261	50,00(1,969)	52,00(2,047)
108	2170-T271	52,00(2,047)	54,00(2,126)
112	2170-T281	54,00(2,126)	56,00(2,205)
116	2170-T291	56,00(2,205)	58,00(2,283)
120	2170-T301	58,00(2,283)	60,00(2,362)

### RECOMMENDED HOLE PATTERN



### T = Contact Plating

- T = 2. Tin plated
  - T = 3. Gold flash over 50μ" nickel
- Recommended Finish**
- T = 5. 15μ" gold over 50μ" nickel
  - T = 6. 30μ" gold over 50μ" nickel
  - T = 13. Selective gold flash over 50μ" nickel
  - T = 15. 15μ" selective gold over 50μ" nickel
  - T = 16. 30μ" selective gold over 50μ" nickel

