

# 2.54mm DUAL ROW SMT FEMALE HEADER



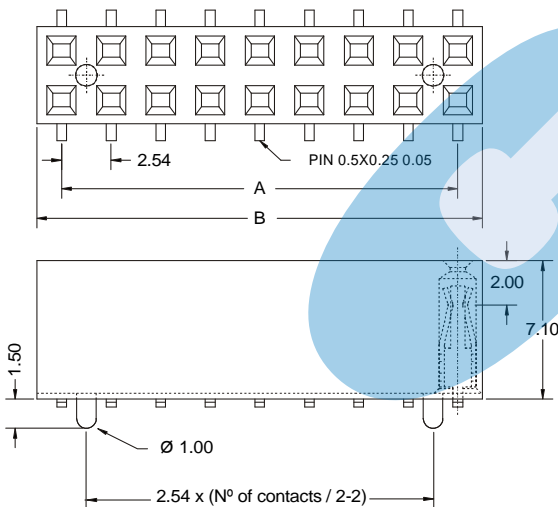
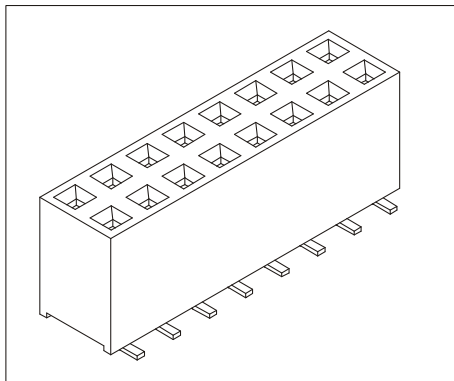
## 2203 SERIES. 2.54 X 2.54mm(0.100 X 0.100"). Female Header

### Features

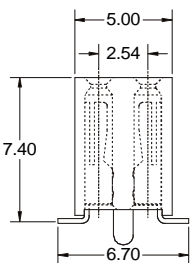
- Available in 06 through 80 circuits
- Insulator Material: Nylon 6-T UL 94V-0
- Mates with 2.54mm pitch and 0.64mm pin headers
- Low profile 7.10mm and high density PCB socket
- Different plating options are available
- High quality dual beam phosphor bronze contacts
- Designed for low profile board to board interconnection
- Optional: PCB fixing post
- For other options consult the Sales Office

### Dimensional Information

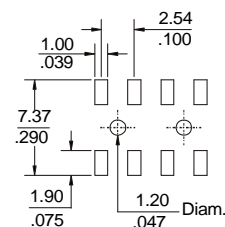
### Ordering and Dimensional Information



Circuit Size	Part Number		Dimensions	
	Without fixing post	With fixing post	A	B
06	2203-T061E	2203-T062E	5,08(0,200)	7,62(0,300)
08	2203-T081E	2203-T082E	7,62(0,300)	10,16(0,400)
10	2203-T101E	2203-T102E	10,16(0,400)	12,70(0,500)
12	2203-T121E	2203-T122E	12,70(0,500)	15,24(0,600)
14	2203-T141E	2203-T142E	15,24(0,600)	17,78(0,700)
16	2203-T161E	2203-T162E	17,78(0,700)	20,32(0,800)
18	2203-T181E	2203-T182E	20,32(0,800)	22,86(0,900)
20	2203-T201E	2203-T202E	22,86(0,900)	25,40(1,000)
22	2203-T221E	2203-T222E	25,40(1,000)	27,94(1,100)
24	2203-T241E	2203-T242E	27,94(1,100)	30,48(1,200)
26	2203-T261E	2203-T262E	30,48(1,200)	33,02(1,300)
28	2203-T281E	2203-T282E	33,02(1,300)	35,56(1,400)
30	2203-T301E	2203-T302E	35,56(1,400)	38,10(1,500)
32	2203-T321E	2203-T322E	38,10(1,500)	40,64(1,600)
34	2203-T341E	2203-T342E	40,64(1,600)	43,18(1,700)
36	2203-T361E	2203-T362E	43,18(1,700)	45,72(1,800)
38	2203-T381E	2203-T382E	45,72(1,800)	48,26(1,900)
40	2203-T401E	2203-T402E	48,26(1,900)	50,80(2,000)
42	2203-T421E	2203-T422E	50,80(2,000)	53,34(2,100)
44	2203-T441E	2203-T442E	53,34(2,100)	55,88(2,200)
46	2203-T461E	2203-T462E	55,88(2,200)	58,42(2,300)
48	2203-T481E	2203-T482E	58,42(2,300)	60,96(2,400)
50	2203-T501E	2203-T502E	60,96(2,400)	63,50(2,500)
52	2203-T521E	2203-T522E	63,50(2,500)	66,04(2,600)
54	2203-T541E	2203-T542E	66,04(2,600)	68,58(2,700)
56	2203-T561E	2203-T562E	68,58(2,700)	71,12(2,800)
58	2203-T581E	2203-T582E	71,12(2,800)	73,66(2,900)
60	2203-T601E	2203-T602E	73,66(2,900)	76,20(3,000)
62	2203-T621E	2203-T622E	76,20(3,000)	78,74(3,100)
64	2203-T641E	2203-T642E	78,74(3,100)	81,28(3,200)
66	2203-T661E	2203-T662E	81,28(3,200)	83,82(3,300)
68	2203-T681E	2203-T682E	83,82(3,300)	86,36(3,400)
70	2203-T701E	2203-T702E	86,36(3,400)	88,90(3,500)
72	2203-T721E	2203-T722E	88,90(3,500)	91,44(3,600)
74	2203-T741E	2203-T742E	91,44(3,600)	93,98(3,700)
76	2203-T761E	2203-T762E	93,98(3,700)	96,52(3,800)
78	2203-T781E	2203-T782E	96,52(3,800)	99,06(3,900)
80	2203-T801E	2203-T802E	99,06(3,900)	101,60(4,000)



### RECOMMENDED PCB LAYOUT



### T = Contact Plating

- T = 2. Tin plated
- T = 3. Gold flash over 50µ" nickel  
Recommended Finish
- T = 5. 15µ" gold over 50µ" nickel
- T = 6. 30µ" gold over 50µ" nickel
- T = 13. Selective gold flash over 50µ" nickel
- T = 15. 15µ" selective gold over 50µ" nickel
- T = 16. 30µ" selective gold over 50µ" nickel

### E = Packing Options

- E = 1. Pad + Tube
- E = 2. Pad + Reel
- E = 3. Film + Tube
- E = 4. Film + Reel