

CRIMP TYPE PLUG HOUSING



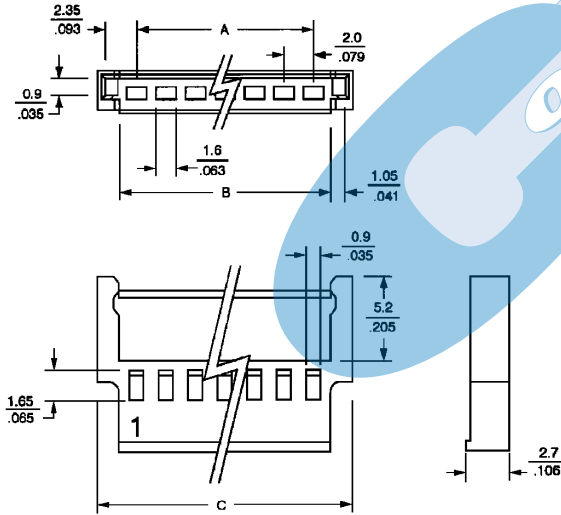
2260 SERIES. 2.00 mm. (0.079"). Center Wire to Wire System

Features

- Available in 2 through 10 circuits
- Material : polyester UL 94V-0
- Wire to wire application
- Mates with 2261 series housing
- Accepts 2262 series crimp terminal
- Low profile

Dimensional information

Ordering and Dimensional Information



Circuit Size	Part Number	Dimensions		
		A	C	
02	2260 - 2021	2,00(0,079)	4,50(0,177)	8,00(0,315)
03	2260 - 2031	4,00(0,157)	6,50(0,256)	10,00(0,394)
04	2260 - 2041	6,00(0,236)	8,50(0,335)	12,00(0,472)
05	2260 - 2051	8,00(0,315)	10,50(0,413)	14,00(0,551)
06	2260 - 2061	10,00(0,394)	12,50(0,492)	16,00(0,630)
07	2260 - 2071	12,00(0,472)	14,50(0,571)	18,00(0,709)
08	2260 - 2081	14,00(0,551)	16,50(0,650)	20,00(0,787)
09	2260 - 2091	16,00(0,630)	18,50(0,728)	22,00(0,866)
10	2260 - 2101	18,00(0,709)	20,50(0,807)	24,00(0,945)