

# SINGLE ROW STRAIGHT PCB SOCKET

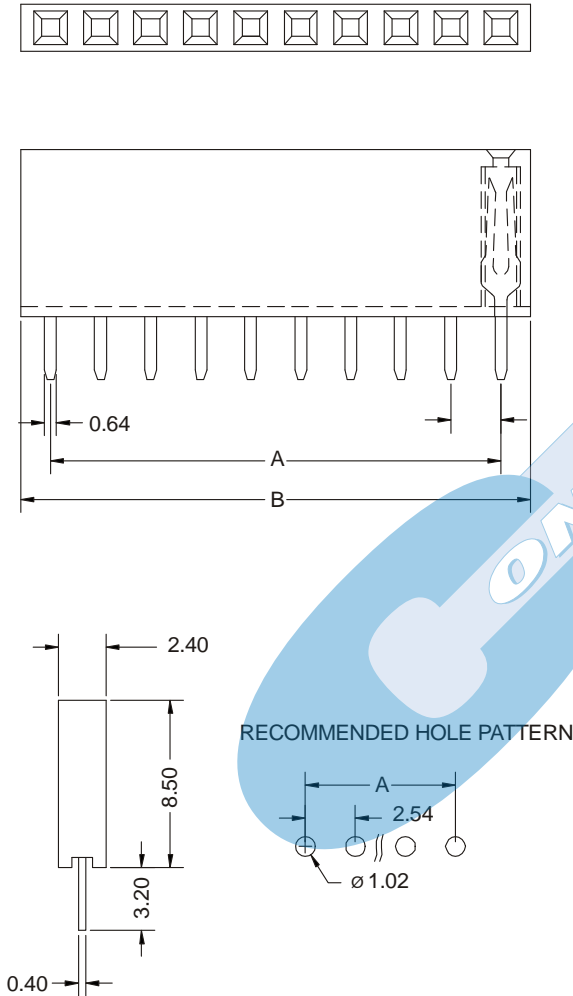


## 2550 SERIES. 2.54mm(0.100"). For PCB Solder

### Features

- Available in 2 through 40 circuits
- Insulator Material: Glass filled polyester UL 94V-0
- Mates with 2.54mm pitch and 0.64mm pin headers
- Low profile and high density PCB socket
- Height: 8.50mm
- High quality dual beam phosphor bronze contacts
- Different plating options are available
- Colour: Black

### Dimensional Information



### Ordering and Dimensional Information

Circuit Size	Part Number	Dimensions	
		A	B
02	<b>2550-T021</b>	2,54(0,100)	5,59(0,220)
03	<b>2550-T031</b>	5,08(0,200)	8,13(0,320)
04	<b>2550-T041</b>	7,62(0,300)	10,67(0,420)
05	<b>2550-T051</b>	10,16(0,400)	13,21(0,520)
06	<b>2550-T061</b>	12,70(0,500)	15,75(0,620)
07	<b>2550-T071</b>	15,24(0,600)	18,29(0,720)
08	<b>2550-T081</b>	17,78(0,700)	20,83(0,820)
09	<b>2550-T091</b>	20,32(0,800)	23,37(0,920)
10	<b>2550-T101</b>	22,86(0,900)	25,91(1,020)
11	<b>2550-T111</b>	25,40(1,000)	28,45(1,120)
12	<b>2550-T121</b>	27,94(1,100)	30,99(1,220)
13	<b>2550-T131</b>	30,48(1,200)	33,53(1,320)
14	<b>2550-T141</b>	33,02(1,300)	36,07(1,420)
15	<b>2550-T151</b>	35,56(1,400)	38,61(1,520)
16	<b>2550-T161</b>	38,10(1,500)	41,15(1,620)
17	<b>2550-T171</b>	40,64(1,600)	43,69(1,720)
18	<b>2550-T181</b>	43,18(1,700)	46,23(1,820)
19	<b>2550-T191</b>	45,72(1,800)	48,77(1,920)
20	<b>2550-T201</b>	48,26(1,900)	51,31(2,020)
21	<b>2550-T211</b>	50,80(2,000)	53,85(2,120)
22	<b>2550-T221</b>	53,34(2,100)	56,39(2,220)
23	<b>2550-T231</b>	55,88(2,200)	58,93(2,320)
24	<b>2550-T241</b>	58,42(2,300)	61,47(2,420)
25	<b>2550-T251</b>	60,96(2,400)	64,01(2,520)
26	<b>2550-T261</b>	63,50(2,500)	66,55(2,620)
27	<b>2550-T271</b>	66,04(2,600)	69,09(2,720)
28	<b>2550-T281</b>	68,58(2,700)	71,63(2,820)
29	<b>2550-T291</b>	71,12(2,800)	74,17(2,920)
30	<b>2550-T301</b>	73,66(2,900)	76,71(3,020)
31	<b>2550-T311</b>	76,20(3,000)	79,25(3,120)
32	<b>2550-T321</b>	78,74(3,100)	81,79(3,220)
33	<b>2550-T331</b>	81,28(3,200)	84,33(3,320)
34	<b>2550-T341</b>	83,82(3,300)	86,87(3,420)
35	<b>2550-T351</b>	86,36(3,400)	89,41(3,520)
36	<b>2550-T361</b>	88,90(3,500)	91,95(3,620)
37	<b>2550-T371</b>	91,44(3,600)	94,49(3,720)
38	<b>2550-T381</b>	93,98(3,700)	97,03(3,820)
39	<b>2550-T391</b>	96,52(3,800)	99,57(3,920)
40	<b>2550-T401</b>	99,06(3,900)	102,11(4,020)

### T = Contact Plating

- T = 2. Tin plated
- T = 3. Gold flash over 50 $\mu$ " nickel  
Recommended Finish
- T = 5. 15 $\mu$ " gold over 50 $\mu$ " nickel
- T = 6. 30 $\mu$ " gold over 50 $\mu$ " nickel
- T = 13. Selective gold flash over 50 $\mu$ " nickel
- T = 15. 15 $\mu$ " selective gold over 50 $\mu$ " nickel
- T = 16. 30 $\mu$ " selective gold over 50 $\mu$ " nickel