

# SINGLE ROW STRAIGHT POLARISED HEADER

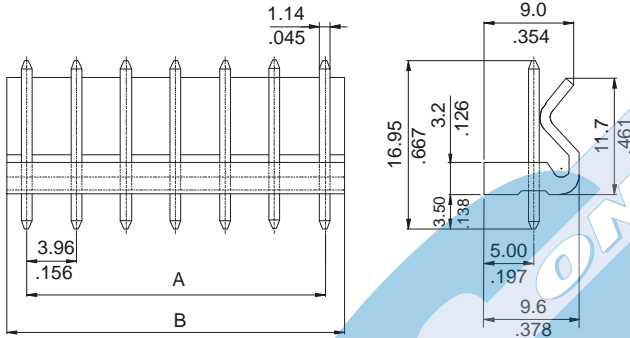


## 3966 SERIES. 3.96 mm. (0.156"). Square pin. For PCB solder

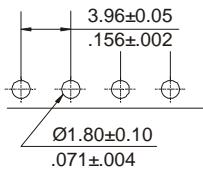
### Features

- Available in 2 through 20 circuits
- Insulation Material: Nylon 6/6 UL 94V-0
- 1.14 mm. (.045") square pin
- Mates with 3940, 3970, 3971 series socket and PCB connector
- Polarised with friction lock
- Pin omit options are available in any circuit

### Dimensional Information



### RECOMMENDED HOLE PATTERN



### Ordering and Dimensional Information

| Circuit Size | Part Number      | Dimensions   |              |
|--------------|------------------|--------------|--------------|
|              |                  | A            | B            |
| 02           | <b>3966-2021</b> | 3,96(0,156)  | 7,90(0,311)  |
| 03           | <b>3966-2031</b> | 7,92(0,312)  | 11,90(0,469) |
| 04           | <b>3966-2041</b> | 11,88(0,468) | 15,80(0,622) |
| 05           | <b>3966-2051</b> | 15,84(0,624) | 19,80(0,780) |
| 06           | <b>3966-2061</b> | 19,80(0,780) | 23,80(0,937) |
| 07           | <b>3966-2071</b> | 23,76(0,935) | 27,70(1,091) |
| 08           | <b>3966-2081</b> | 27,72(1,091) | 31,70(1,248) |
| 09           | <b>3966-2091</b> | 31,68(1,247) | 35,60(1,402) |
| 10           | <b>3966-2101</b> | 35,64(1,403) | 39,60(1,559) |
| 11           | <b>3966-2111</b> | 39,60(1,559) | 43,60(1,717) |
| 12           | <b>3966-2121</b> | 43,56(1,715) | 47,50(1,870) |
| 13           | <b>3966-2131</b> | 47,52(1,871) | 51,50(2,028) |
| 14           | <b>3966-2141</b> | 51,48(2,027) | 55,40(2,181) |
| 15           | <b>3966-2151</b> | 55,44(2,183) | 59,40(2,339) |
| 16           | <b>3966-2161</b> | 59,40(2,339) | 63,40(2,496) |
| 17           | <b>3966-2171</b> | 63,36(2,494) | 67,30(2,650) |
| 18           | <b>3966-2181</b> | 67,32(2,650) | 71,30(2,807) |
| 19           | <b>3966-2191</b> | 71,28(2,806) | 75,20(2,961) |
| 20           | <b>3966-2201</b> | 75,24(2,962) | 79,20(3,118) |