

SINGLE ROW R/ANGLE POLARISED HEADER



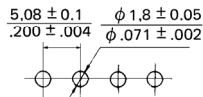
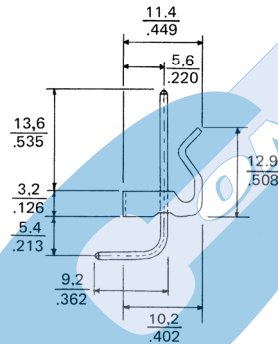
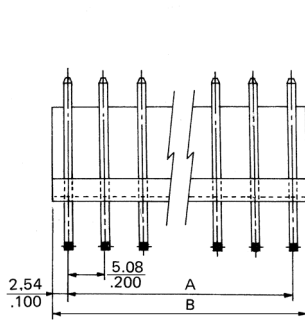
5083 SERIES. 5.08mm(0.200"). Square Pin. For PCB Solder

Features

- Available in 2 through 12 circuits
- Insulation Material: Nylon 6/6 UL 94V-2
- 1.14mm(.045") square pin in copper alloy
- Mates with 5080, 5081, 1507 and 1508 series socket
- Polarised with friction lock
- Pin omit options are available in any circuit
- For **GWT** option (Glow Wire Test Approval), please add **E** at the end of Part Number (Example: 5083-XXXXE)

Dimensional Information

Ordering and Dimensional Information



RECOMMENDED HOLE PATTERN

| Circuit Size | Part Number | Dimensions | |
|--------------|------------------|--------------|--------------|
| | | A | B |
| 02 | 5083-2021 | 5,08(0,200) | 10,16(0,400) |
| 03 | 5083-2031 | 10,16(0,400) | 15,24(0,600) |
| 04 | 5083-2041 | 15,24(0,600) | 20,32(0,800) |
| 05 | 5083-2051 | 20,32(0,800) | 25,40(1,000) |
| 06 | 5083-2061 | 25,40(1,000) | 30,48(1,200) |
| 07 | 5083-2071 | 30,48(1,200) | 35,56(1,400) |
| 08 | 5083-2081 | 35,56(1,400) | 40,64(1,600) |
| 09 | 5083-2091 | 40,64(1,600) | 45,72(1,800) |
| 10 | 5083-2101 | 45,72(1,800) | 50,80(2,000) |
| 11 | 5083-2111 | 50,80(2,000) | 55,88(2,200) |
| 12 | 5083-2121 | 55,88(2,200) | 60,96(2,400) |