

2.54mm RIGHT ANGLE SHROUDED HEADER



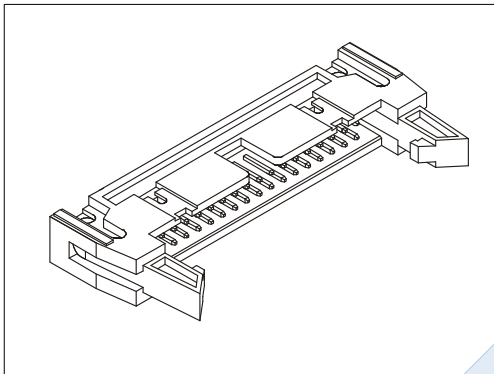
5342 SERIES. 2.54 x 2.54mm(0.100 x 0.100"). With Eject Latch Levers

Features

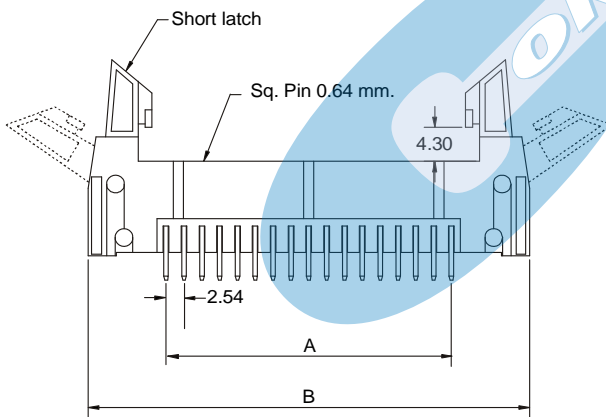
- Available in 10, 14, 16, 20, 26, 30, 34, 40, 50, 60 And 64 circuits
- Insulator Material: P.B.T UL 94V-0
- Contact Material: 0.64mm square pin in copper alloy
- Mates with 5440 series I.D.C connector
- Short and long latches available
- Fully shrouded. Provides fast connection / disconnection of Flat cable assembly

Dimensional Information

Ordering and Dimensional Information



| Circuit Size | Part Number | Dimension | |
|--------------|-------------|--------------|---------------|
| | | A | B |
| 10 | 5342-T10X | 10,16(0,400) | 29,82 (1.174) |
| 14 | 5342-T14X | 15,24(0,600) | 34,90 (1.374) |
| 16 | 5342-T16X | 17,78(0,700) | 37,44 (1.474) |
| 20 | 5342-T20X | 22,86(0,900) | 42,52 (1.674) |
| 26 | 5342-T26X | 30,48(1,200) | 50,14 (1.974) |
| 30 | 5342-T30X | 35,56(1,400) | 55,22 (2.174) |
| 34 | 5342-T34X | 40,64(1,600) | 60,30 (2.374) |
| 40 | 5342-T40X | 48,26(1,900) | 67,92 (2.674) |
| 50 | 5342-T50X | 60,96(2,400) | 80,62 (3.174) |
| 60 | 5342-T60X | 73,66(2,900) | 93,32 (3.674) |
| 64 | 5342-T64X | 78,74(3,100) | 98,40 (3.874) |

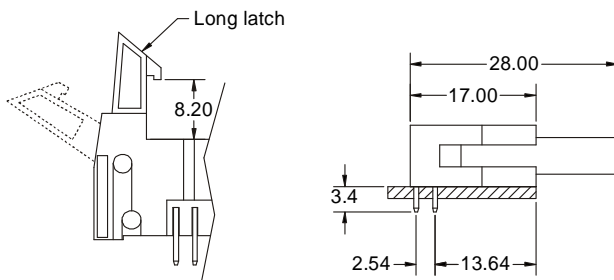


T = Contact Plating

- T = 2. Tin plated
- T = 3. Gold flash over 50µ" nickel
Recommended Finish
- T = 5. 15µ" gold over 50µ" nickel
- T = 6. 30µ" gold over 50µ" nickel

X = Latch type

- X = 0. Without Eject Latch
- X = 1. Short. For use without strain relief
- X = 2. Long. For use with strain relief



RECOMMENDED HOLE PATTERN

