

2.54mm RIGHT ANGLE SHROUDED HEADER

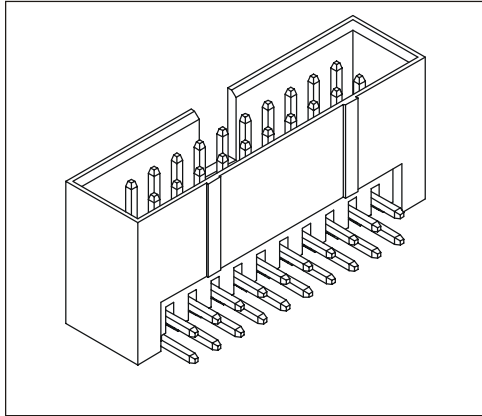


5444 SERIES. 2.54 x 2.54mm(0.100 x 0.100"). For PCB Solder

Features

- Available in 10, 14, 16, 20, 26, 30, 34, 40, 50, 60 and 64 Circuits
- Insulator Material: Glass filled polyester UL 94V-0
- Contact Material: 0.64mm square pin in copper alloy
- Mates with 5440 series I.D.C connector
- Fully shrouded
- Different plating options are available
- For other options consult the Sales Office

Dimensional Information



Ordering and Dimensional Information

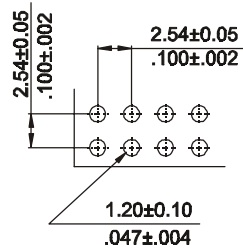
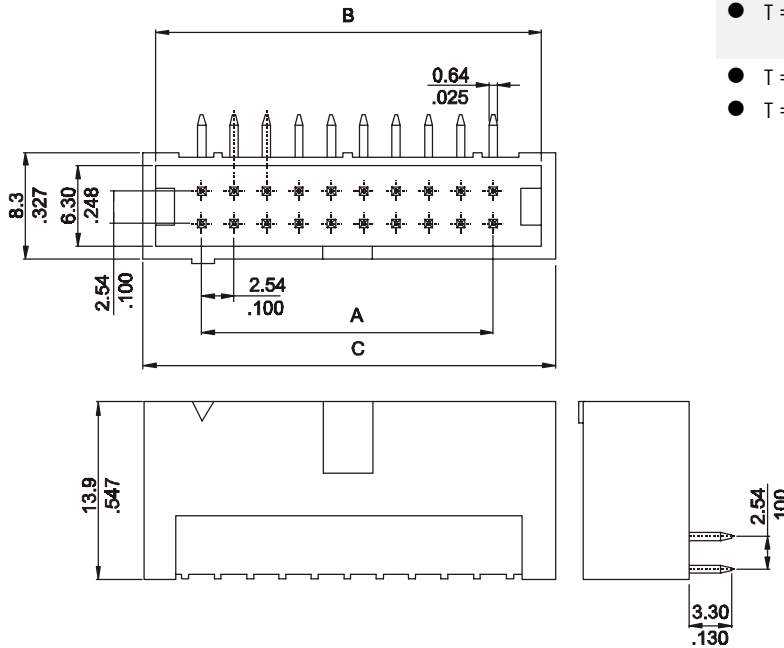
Circuit Size	Part Number	Dimension		
		A	B	C
10	5444-T100	10,16(0,400)	17,52(0,690)	19,50 (0,768)
14	5444-T140	15,24(0,600)	22,60(0,890)	24,60 (0,969)
16	5444-T160	17,78(0,700)	25,14(0,990)	27,10 (1,067)
20	5444-T200	22,86(0,900)	30,22(1,190)	32,20 (1,268)
26	5444-T260	30,48(1,200)	37,84 (1,490)	39,80 (1,567)
30	5444-T300	35,56(1,400)	42,92(1,690)	44,90 (1,768)
34	5444-T340	40,64(1,600)	48,00(1,890)	50,00 (1,969)
40	5444-T400	48,26(1,900)	55,62(2,190)	57,60 (2,268)
50	5444-T500	60,96(2,400)	68,32(2,690)	70,30 (2,768)
60	5444-T600	73,66(2,900)	81,02(3,190)	83,00 (3,268)
64	5444-T640	78,74(3,100)	86,10(3,390)	88,10 (3,469)

Unit: mm.
Inch.

T = Contact Plating

- T = 2. Tin plated
- T = 3. Gold flash over 50μ" nickel
- T = 5. 15μ" gold over 50μ" nickel
- T = 6. 30μ" gold over 50μ" nickel

Recommended Finish



RECOMMENDED HOLE PATTERN