

# 2.54mm MINI JUMPER



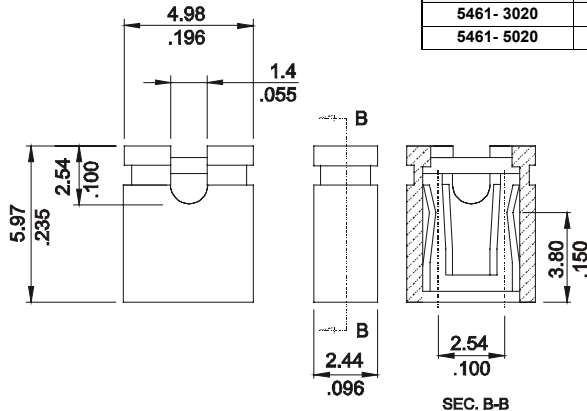
## 5461 SERIES. 2.54mm(0.100"). Mini Jumper

### Features

- Mates with any common pairs of 0.64mm(.025") square or round pin
- Contact Material: Phosphor bronze with plating options
- Insulator Material: Glass filled polyester UL 94V-0
- Test probe hole allows electrical inspection of contact during application
- Double tuning fork type contact guarantees high reliability
- Low profile (6.00mm)

### Dimensional Information

### Ordering and Dimensional Information



Open	Closed	Finish	Colour
5461- 3020	5461- 3021	Gold flash over 50µ" nickel.	Black
5461- 5020	5461- 5021	15µ" gold over 50µ" nickel	Black