

# HANDLE TYPE JUMPER

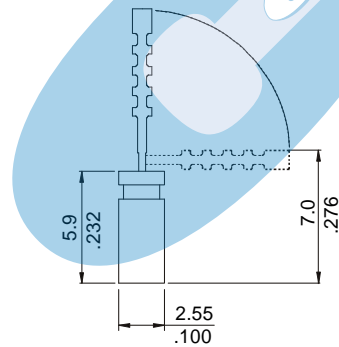
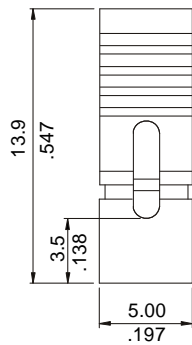


## 5462 SERIES. 2.54mm(0.100"). Jumper

### Features

- Mates with any common pairs of 0.64mm(.025") square or round pin
- Contact Material: Phosphor bronze with plating options
- Insulator Material: Glass filled polyester UL 94V-0
- Test probe hole allows electrical inspection of contact during application
- Double tuning fork type contact guarantees high reliability
- Low profile

### Dimensional Information:



### Ordering and Dimensional Information:

Part Number	Contact Plating	Colour
5462- 3020	Gold flash over 50µ" nickel	Black
5462- 5020	15µ" gold over 50µ" nickel	Black
5462- 7020	30µ" gold over 50µ" nickel	Black