

2.54mm DUAL ROW BOARD SPACER

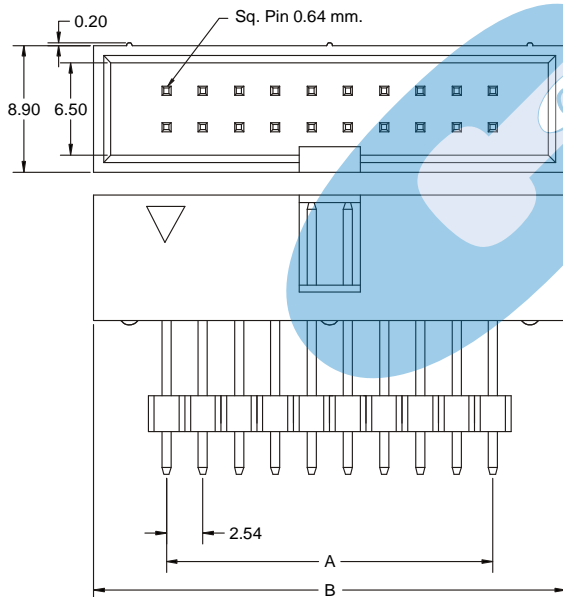
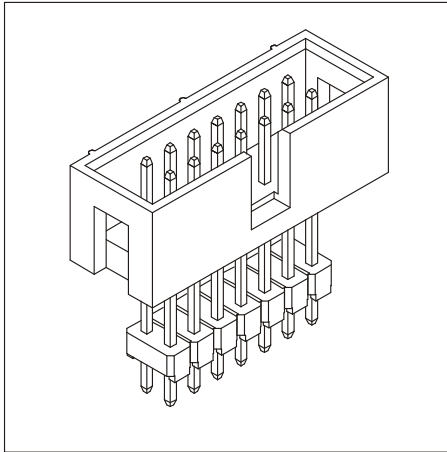


5543 SERIES. 2.54 x 2.54mm(0.100 x 0.100"). For PCB Solder

Features

- Available in 6, 8, 10, 14, 16, 20, 24, 26, 30, 34, 40, 44, 48, 50, 60 and 64 circuits
- Contact Material: Brass
- Insulator Material: P.B.T. UL 94V-0
- Mates with 5440 and 5458 series
- Fully shrouded. No ejector latches for saving space
- Different plating options are available
- Assures reliable flat cable to P.C. Board interconnection

Dimensional Information



Ordering and Dimensional Information

Circuit Size	Part Number	Dimensions	
		A	B
06	5543-T06C	5,08(0,200)	15,28(0,602)
08	5543-T08C	7,62(0,300)	17,82(0,702)
10	5543-T10C	10,16(0,400)	20,36(0,802)
14	5543-T14C	15,24(0,600)	25,44(1,002)
16	5543-T16C	17,78(0,700)	27,98(1,102)
20	5543-T20C	22,86(0,900)	33,06(1,302)
24	5543-T24C	27,94(1,100)	38,14(1,502)
26	5543-T26C	30,48(1,200)	40,68(1,602)
30	5543-T30C	35,56(1,400)	45,76(1,802)
34	5543-T34C	40,64(1,600)	50,84(2,002)
40	5543-T40C	48,26(1,900)	58,46(2,302)
44	5543-T44C	53,34(2,100)	63,54(2,502)
48	5543-T48C	58,42(2,300)	68,62(2,702)
50	5543-T50C	60,96(2,400)	71,16(2,802)
60	5543-T60C	73,66(2,900)	83,86(3,302)
64	5543-T64C	78,74(3,100)	88,94(3,502)

T = Contact Plating

- T = 2. Tin plated
- T = 3. Gold flash over 50µ" nickel
Recommended Finish
- T = 5. 15µ" gold over 50µ" nickel
- T = 6. 30µ" gold over 50µ" nickel
- T = 13. Selective gold flash over 50µ" nickel
- T = 15. 15µ" selective gold over 50µ" nickel
- T = 16. 30µ" selective gold over 50µ" nickel

C = Connector Dimensions

- C = 1. F = 9.10mm ; E = 7.50mm ; D = 3.00mm
- C = 2. F = 9.10mm ; E = 5.00mm ; D = 3.00mm
- C = 3. F = 9.10mm ; E = 4.00mm ; D = 3.00mm
- C = 4. F = 9.10 mm.; E = 15.20 mm.; D = 3.00 mm.

Notice: The dimensions D, E and F are optional. Consult the Sales Office.

