

# STRAIGHT FEMALE CONNECTOR PCB DVI

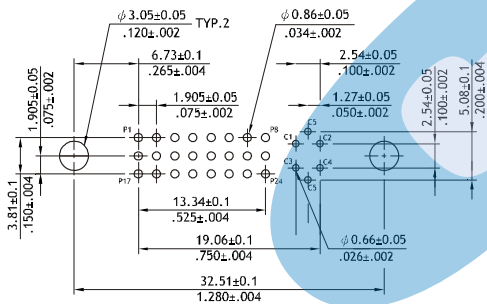
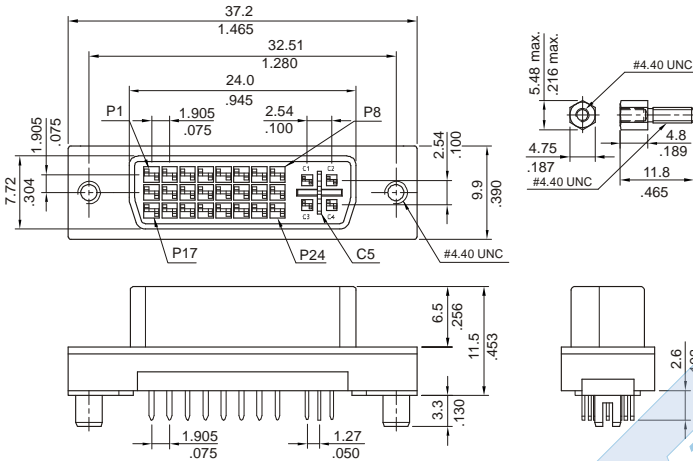


## 5636 SERIES. For PCB Solder.

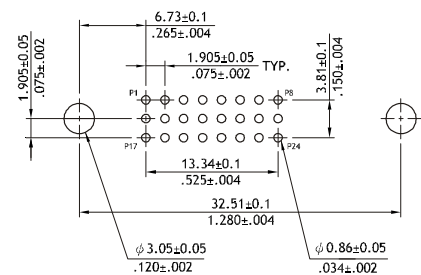
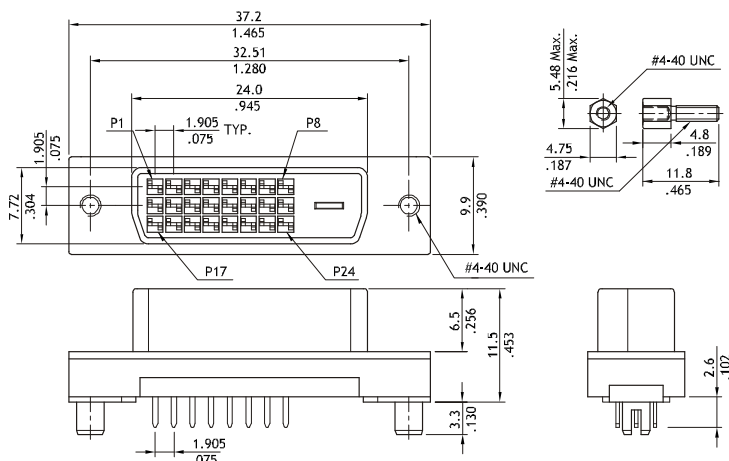
### Features

- Available in 24 circuits(digital version) or 29 circuits Integrated version (Digital / Analog 25+4 )
- Contact Material: Brass with different plating options
- Insulator Material: Fibre glass filled; UL 94V-0
- Shell in brass, nickel plated
- Positive polarized and shielded EMI / RFI 1
- The contact design handles 4.95 Gbps of single connections and 9.9 Gbps of double connections
- Mates with standard DVI
- The coaxial section handles a band width of 2.5 Ghz analog signals
- Contact our Sales Department for further information

### Dimensional Information



RECOMMENDED HOLE PATTERN



### Ordering and Dimensional Information

**5636 - T - XX - C R**  
 1 2 3 4 5

#### 1. Connector Series

#### 2. Plating Options

- T = 13. Selective Gold Flash over 1.27  $\mu$  Ni. RECOMMENDED FINISH
- T = 15. 0.38  $\mu$  Selective Gold over 1.27  $\mu$  Ni.
- T = 16. 0.76  $\mu$  Selective Gold over 1.27  $\mu$  Ni.

#### 3. Circuit Size

- XX = 24 contacts (Digital)
- XX = 29 contacts (Integrated D / A)

#### 4. Hardware Options

- C = 0. Version w/o Nut and Grounding tap
- C = 1. Version with Nut 4-40 UNC and Grounding tap

#### 5. Insulation Colour

- R = 1. White
- R = 2. Black
- R = 3. Ivory