

MALE CONNECTOR DVI

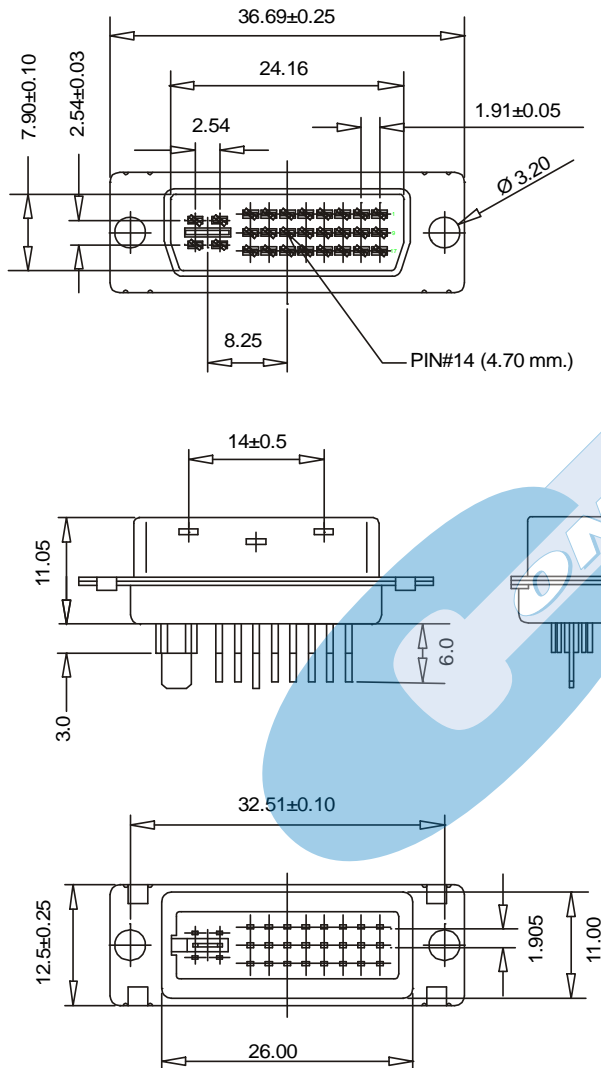


5639 SERIES. For Cable Solder.

Features

- Available in 25 circuits (24+1 digital version) or 29 circuits Integrated version (Digital / Analog 24+5)
- Contact Material: Brass with different plating options
- Insulator Material: Fibre glass filled; UL 94V-0
- Contact height of contact number 14 is 4.70mm. The Others is 5.46 mm. aprox.
- Shell in brass, nickel plated
- Contact our Sales Department for further information

Dimensional Information



Ordering and Dimensional Information

5639 - T- XX- C
1 2 3 4

1. Connector Series

2. Plating Options

- T = 3. Gold flash over 1.27 μ Ni. RECOMMENDED FINISH
- T = 5. 0.38 μ Gold over 1.27 μ Ni.
- T = 6. 0.76 μ Gold over 1.27 μ Ni.

3. Circuit Size

- XX = 25 contacts (Digital)
- XX = 29 contacts (Integrated D /A)

4. Hardware Options

C = 1. Version only with hole $\varnothing 3.20$ mm.

