

CRIMP TERMINAL (AWG 20-24)



5741 & 5742 SERIES. Crimp Terminal.

Features

- Lateral Carrier
- Material: Phosphor Bronze
- Pin plating options are available
- Current Rating: 5 A maximum
- Contact Resistance: 10 mΩ
- Wire Ranges: AWG 20 - 24
- Four points of contact
- Insulation Diameter: 2.50mm(.098") maximum

Dimensional Information

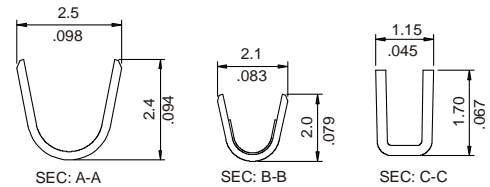
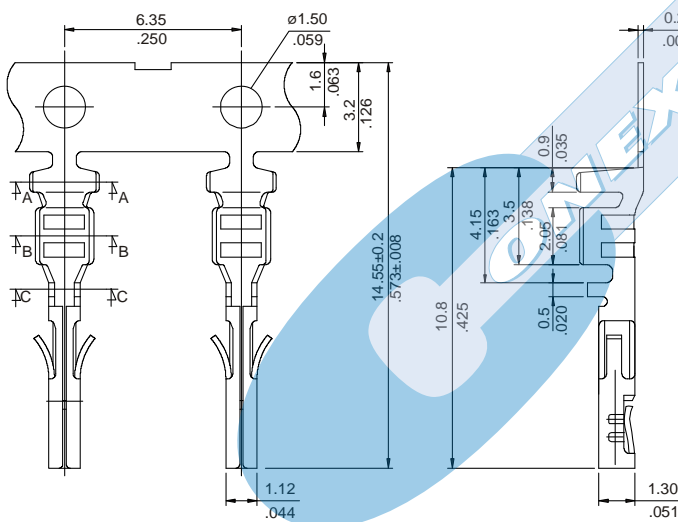
Ordering and Dimensional Information

Type	Part Number	Material	Wire Ranges	Reel Quantity
Male	5741 - T000	Phosphor Bronze	AWG 20 - 24	12,000 Pcs (Reel)
Male	5741 - T001	Phosphor Bronze	AWG 20 - 24	Loose Piece
Female	5742 - T000	Phosphor Bronze	AWG 20 - 24	12,000 Pcs (Reel)
Female	5742 - T001	Phosphor Bronze	AWG 20 - 24	Loose Piece

T = Contact Plating

- T = 2. Tin plated
Recommended Finish
- T = 3. Gold flash over 50μ" nickel
- T = 5. 15μ" gold over 50μ" nickel
- T = 6. 30μ" gold over 50μ" nickel

FEMALE TERMINAL



MALE TERMINAL

