

2.36mm POWER CONNECTOR



6751 SERIES. For PCB Solder

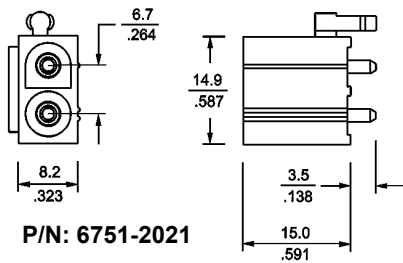
Features

- Available in 2, 3, 4, 6, 9 and circuits
- Contact Material: Tin-plated brass
- Insulator Material: Nylon 6/6 UL94 V-2, Colour: Natural
- Mates with 6750 series housing
- 6.70mm (.263") centre spacing wire to wire

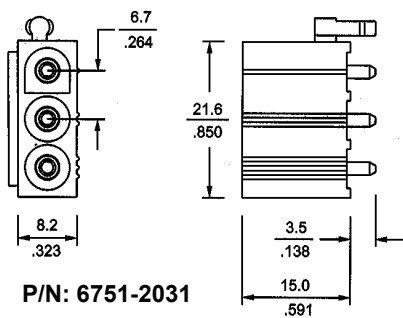
Dimensional Information

Ordering and Dimensional Information

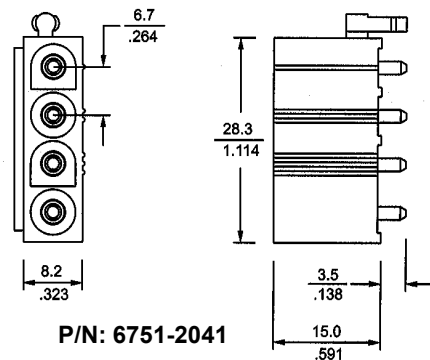
2 CIRCUITS



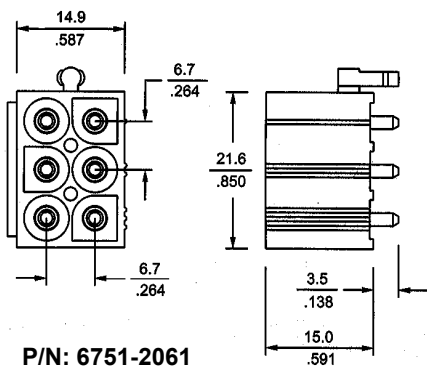
3 CIRCUITS



4 CIRCUITS



6 CIRCUITS



9 CIRCUITS

