

# MALE TERMINALS FOR 6760 HOUSING



## 6761-6763-6765 SERIES. 2.13mm(0.083"). Diameter Crimp Terminal.

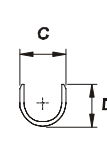
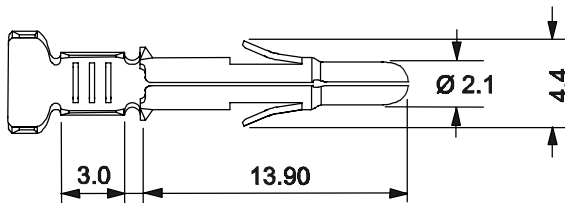
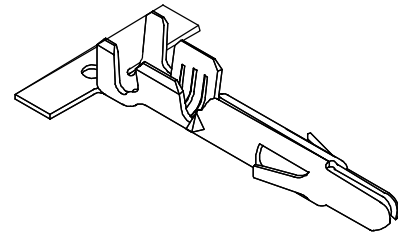
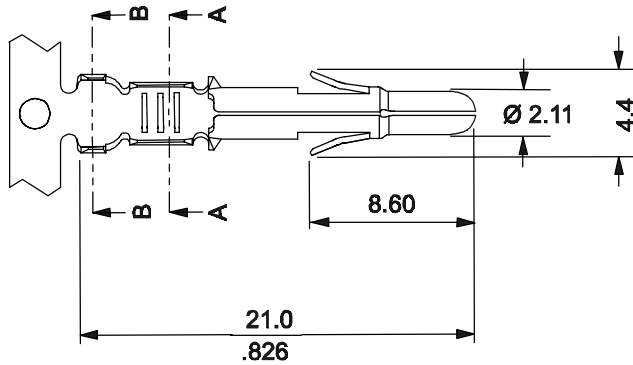
### Features

- Lateral Carrier
- Material: Tin-plated brass
- Current Rating: 11 A maximum
- Voltage rating: 600 V
- Ambient temperature range: -55° to 105°

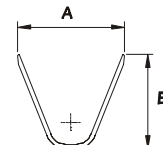
### Dimensional Information

### Ordering and Dimensional Information

Type	Part Number	Dimensions				Material	Wire Ranges	Reel Quantity
		A	B	C	D			
Male	6761 – 2000	3.5	3.2	4.0	4.5	Brass tin plated	AWG 16 – 20	3,500 Pcs (Reel)
Male	6761 – 2001	3.5	3.2	4.0	4.5	Brass tin plated	AWG 16 – 20	Loose Piece
Male	6763 – 2000	2.4	2.4	3.4	3.4	Brass tin plated	AWG 18 – 22	3,500 Pcs (Reel)
Male	6763 – 2001	2.4	2.4	3.4	3.4	Brass tin plated	AWG 18 – 22	Loose Piece
Male	6765 – 2000	3.5	3.2	5.5	5.9	Brass tin plated	AWG 12 – 14	3,500 Pcs (Reel)
Male	6765 – 2001	3.5	3.2	5.5	5.9	Brass tin plated	AWG 12 – 14	Loose Piece



SEC. B-B



SEC. A-A