

SIDE ENTRY PCB JACK FCC-68

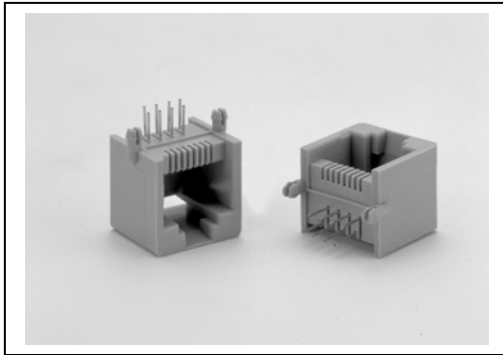


6813 SERIES. For PCB Solder. Side Entry PCB Jack

Features

- Available in 4/4, 6/4 and 6/6 circuits
- Mates with FCC-68 modular plugs
- Insulator Material: Glass filled polyester UL 94V-0
- Contacts: Golden phosphor bronze 0.45mm diameter
- Gold plating over nickel in contact area.
- Tin plating over nickel in solder area
- Insulation Resistance: 500 MΩ min.
- Contact Resistance: 10mΩ max.

Dimensional Information

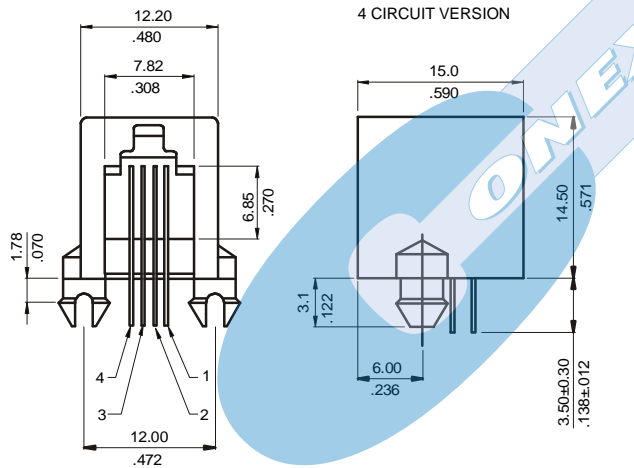


Ordering and Dimensional Information

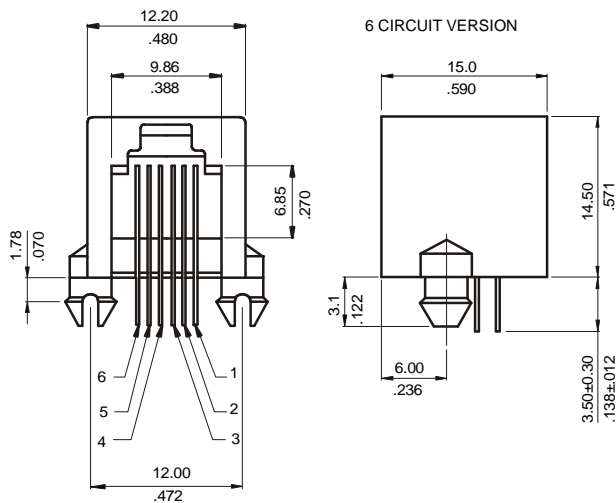
Circuit Size	Part Number	
	Black Colour	Grey Colour
4/4	6813 – T441	6813 – T442
6/4	6813 – T641	6813 – T642
6/6	6813 – T661	6813 – T662

T = Contact Plating

- T = 4. 6μ" gold over 50μ" nickel
- T = 5. 15μ" gold over 50μ" nickel
- T = 6. 30μ" gold over 50μ" nickel
- T = 7. 50μ" gold over 50μ" nickel



RECOMMENDED HOLE PATTERN



RECOMMENDED HOLE PATTERN