

# SIDE ENTRY PCB JACK FCC-68



## 6816 SERIES. For PCB Solder. Side Entry PCB Jack

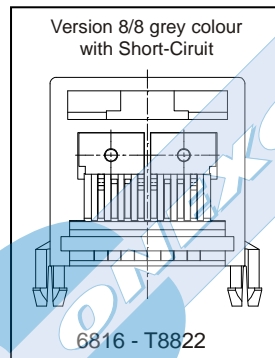
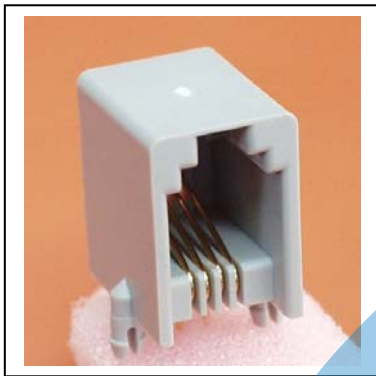
### Features

- Available in 4/4, 6/4, 6/6, 8/6, 8/8 and 10/10 circuits
- Mates with FCC-68 modular plugs
- Insulator Material: Glass filled polyester UL 94V-0
- Contacts: Golden phosphor bronze 0.45mm diameter
- Available with or without Panel Stop Key
- Gold plating over nickel in Contact Area.
- Tin plating over nickel in Solder Area
- Insulation Resistance: 500 MΩ minimum
- Contact Resistance: 10mΩ maximum
- Version 8/8 grey colour with with Short-Circuit (**6816-T882**)  
Short circuit: 1 to 4 and 5 to 8
- Other options consult with Sales Office

### Dimensional Information

### Ordering and Dimensional Information

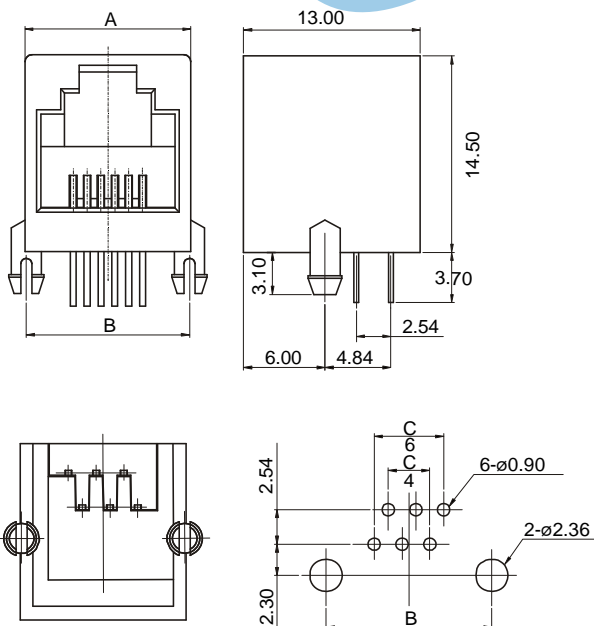
| Circuit Size | Part Number   |              |                |               | Dimensions    |               |              |
|--------------|---------------|--------------|----------------|---------------|---------------|---------------|--------------|
|              | Black W/O Key | Grey W/O Key | Black With Key | Grey With Key | A             | B             | C            |
| 4/4          | 6816 - T441   | 6816 - T442  | 6816 - T443    | 6816 - T444   | 10.00 (0.393) | 10.00 (0.393) | 3.06 (0.121) |
| 6/4          | 6816 - T641   | 6816 - T642  | 6816 - T643    | 6816 - T644   | 12.20 (0.481) | 12.00 (0.473) | 5.10 (0.200) |
| 6/6          | 6816 - T661   | 6816 - T662  | 6816 - T663    | 6816 - T664   | 12.20 (0.481) | 12.00 (0.473) | 5.10 (0.200) |
| 8/6          | 6816 - T861   | 6816 - T862  | 6816 - T863    | 6816 - T864   | 15.00 (0.591) | 15.00 (0.591) | 7.14 (0.282) |
| 8/8          | 6816 - T881   | 6816 - T882  | 6816 - T883    | 6816 - T884   | 15.00 (0.591) | 15.00 (0.591) | 7.14 (0.282) |
| 10/10        | 6816 - T101   | 6816 - T102  | 6816 - T103    | 6816 - T104   | 15.00 (0.591) | 15.00 (0.591) | 9.18 (0.362) |



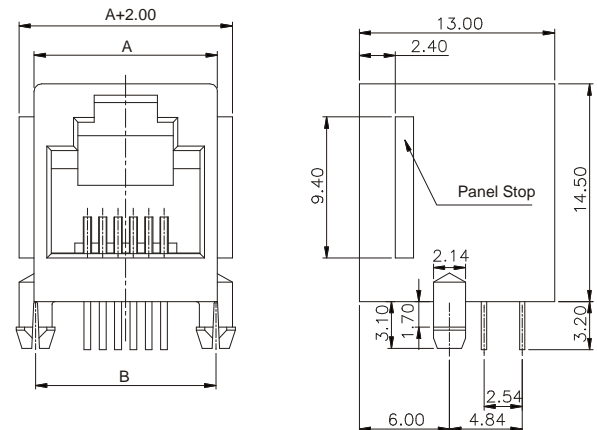
### T = Contact Plating

- T = 4. 6μ" gold over 50μ" nickel
- T = 5. 15μ" gold over 50μ" nickel
- T = 6. 30μ" gold over 50μ" nickel
- T = 7. 50μ" gold over 50μ" nickel

### Version Without Panel Stop Key



### Version With Panel Stop Key



### RECOMMENDED HOLE PATTERN