

ASIMETRIC SIDE ENTRY PCB JACK



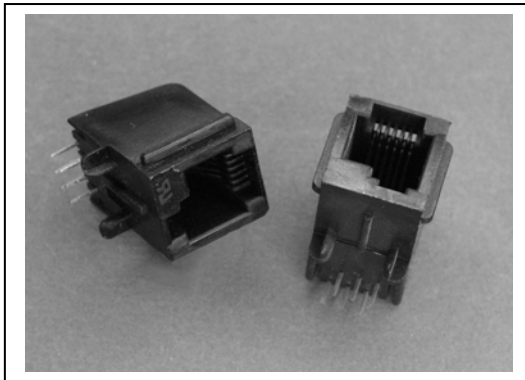
6822 SERIES. For PCB Solder. Side Entry PCB Jack

Features

- Available in 6/4 and 6/6 circuits
- Mates with FCC-68 modular plugs 6867 series
- Insulator Material: Glass filled polyester UL 94V-0
- Contacts: Golden phosphor bronze 0.35mm diameter
- Gold plating over nickel in Contact Area.
- Tin plating over nickel in Solder Area
- Insulation resistance: 500 MΩ min.
- Contact resistance: 10mΩ max.

Dimensional Information

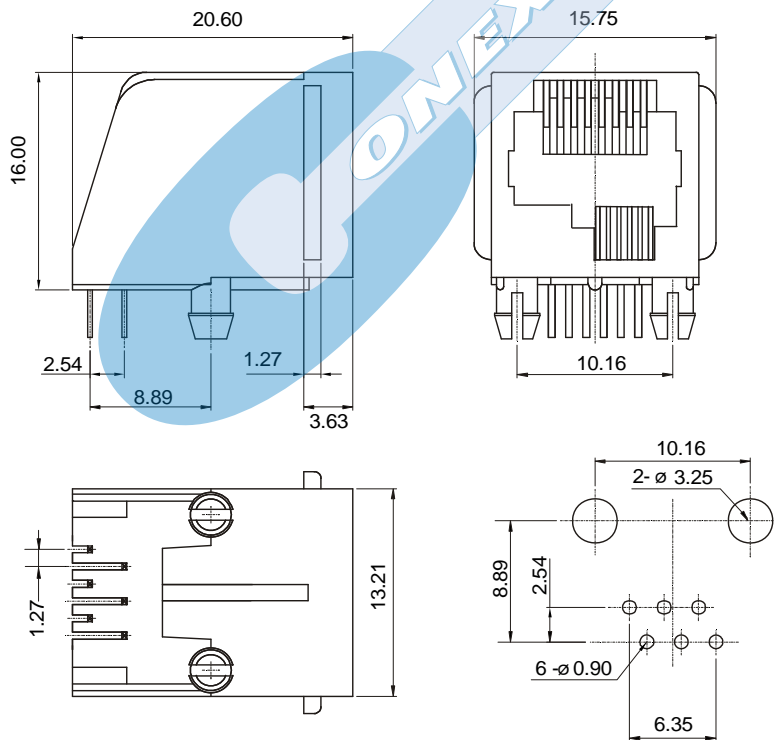
Ordering and Dimensional Information



Circuit Size	Part Number
6/4	6822 - T641
6/6	6822 - T661

T = Contact Plating

- T = 4. 6μ" gold over 50μ" nickel
- T = 5. 15μ" gold over 50μ" nickel
- T = 6. 30μ" gold over 50μ" nickel
- T = 7. 50μ" gold over 50μ" nickel



RECOMMENDED HOLE PATTERN