

DUAL-PORT SIDE ENTRY PCB JACK FCC-68

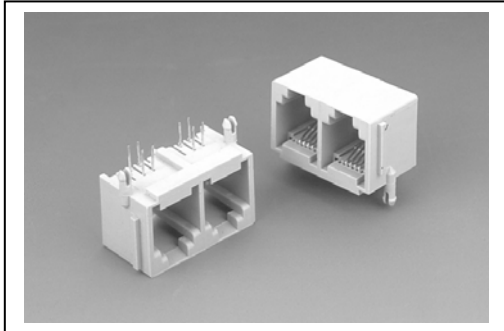


6824 SERIES. For PCB Solder. Dual-Port Side Entry PCB Jack

Features

- Available in 6/2, 6/4 and 6/6 circuits
- Mates with FCC-68 modular plugs
- Insulator Material: Glass filled polyester UL 94V-0
- Contacts: Golden phosphor bronze 0.45mm diameter
- Different plating options are available
- Gold plating over nickel in Contact Area.
- Tin plating over nickel in Solder Area
- Insulation resistance: 10 MΩ to 500 V AC
- Contact resistance: 20mΩ max.

Dimensional Information

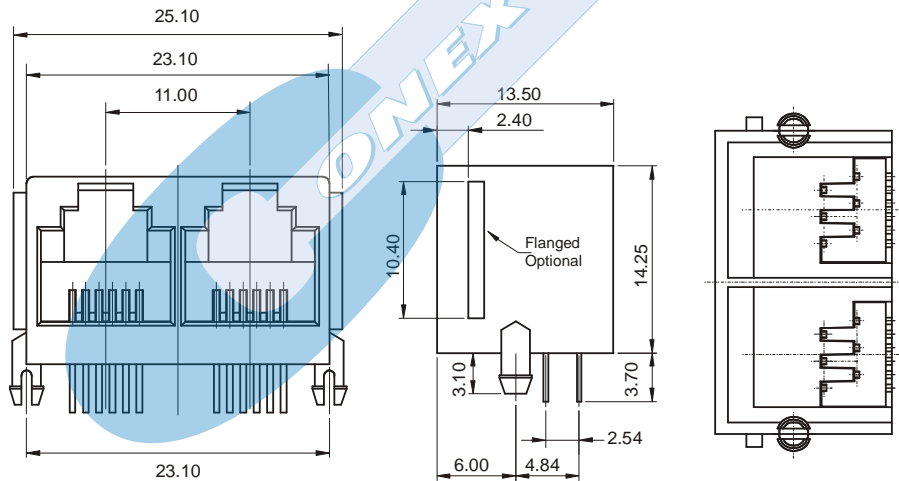


Ordering and Dimensional Information

Options	Dimensions		
	6/2 Version	6/4 Version	6/6 Version
Flanged	6824 – T621	6824 – T641	6824 – T661
Flangeless	6824 – T622	6824 – T642	6824 – T662

T = Contact Plating

- T = 4. 6μ" gold over 50μ" nickel
- T = 5. 15μ" gold over 50μ" nickel
- T = 6. 30μ" gold over 50μ" nickel
- T = 7. 50μ" gold over 50μ" nickel



RECOMMENDED HOLE PATTERN

