

TELEPHONE MODULAR PLUGS FCC-68



6866 SERIES. Modular Plug

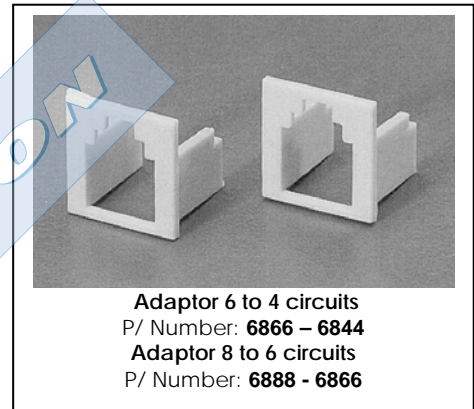
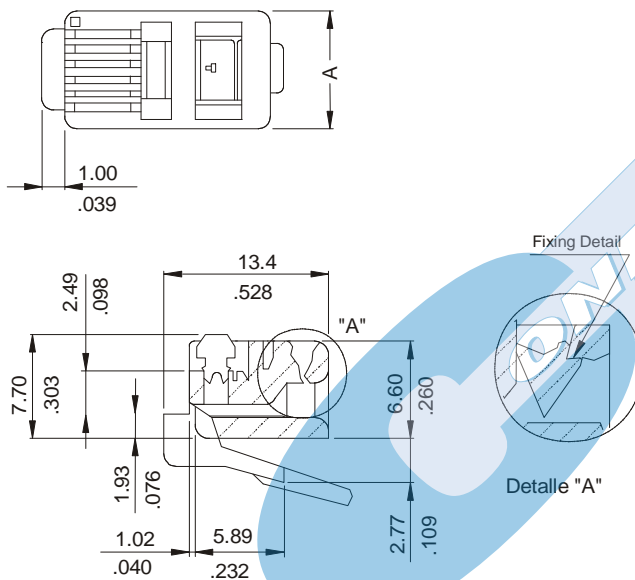
Features

- Available in 6/2, 6/4, 6/6, 8/6 and 8/8 circuits
- Insulator Material: Polycarbonate UL 94V-0
- Contact Material: Phosphor bronze
- Mates with 6 and 8 circuit FCC-68 jacks
- Insulation pierce termination
- Available for different cable type
- Contact resistance: 20 mΩ, 2 A
- Insulation Resistance: 10 MΩ, 500 VAC

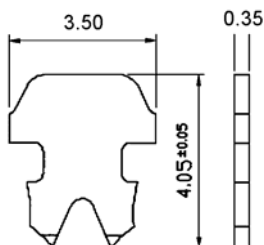
Dimensional Information

Ordering and Dimensional Information

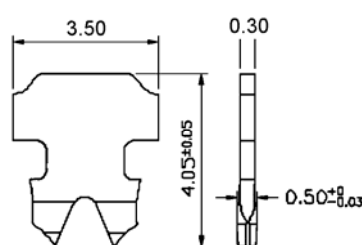
No. Of Positions	Unshielded Cable			Shielded Cable			Dimensions A
	Tinsel /Copper Contact A	Rigid Wire Contact B	Rigid Wire Contact C	Tinsel /Copper Contact A	Rigid Wire Contact B	Rigid Wire Contact C	
6/2	6866 – T621	6866 – T625	-	6866 – T623	6866 – T627	-	9.65 (0.300)
6/4	6866 – T641	6866 – T645	6866 – T640	6866 – T643	6866 – T647	6866 – T649	9.65 (0.300)
6/6	6866 – T661	6866 – T665	6866 – T660	6866 – T663	6866 – T667	6866 – T669	9.65 (0.300)
8/6	6866 – T861	6866 – T865	-	6866 – T863	6866 – T867	-	11.68 (0.460)
8/8	6866 – T881	6866 – T885	-	6866 – T883	6866 – T887	-	11.68 (0.460)



Contact Type A



Contact Type B



Contact Type C

