

TELEPHONE MODULAR PLUGS FCC-68



6888 SERIES. Modular Plug

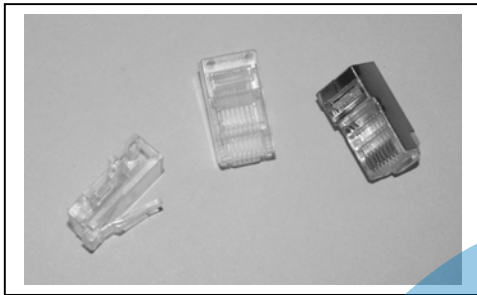
Features

- Available in 8/2, 8/4, 8/6, 8/8 and 10/10 circuits
- Insulator Material: Polycarbonate UL 94V-0
- Contact Material: Phosphor bronze
- Mates with 8 and 10 circuit FCC-68 jacks
- Insulation pierce termination
- Available for different cable type
- Available with or without shield
- Shielded Material: Tinned brass

Dimensional Information

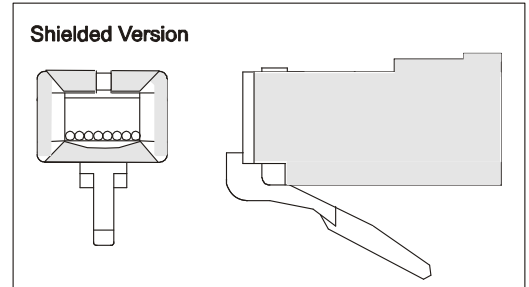
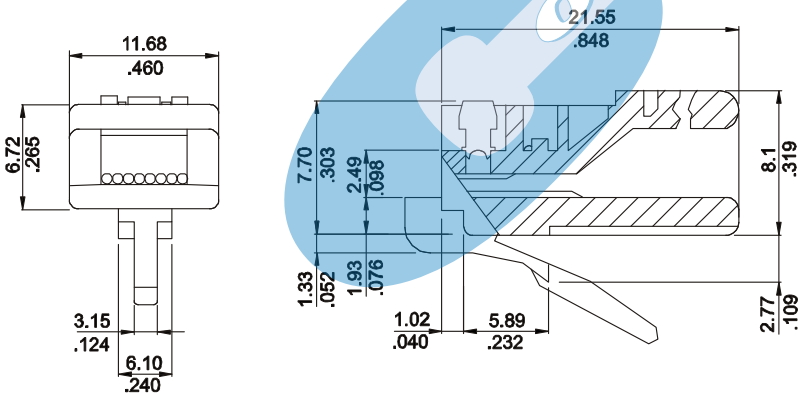
Ordering and Dimensional Information

N° of Positions	Unshielded Cable			Shielded Cable		
	Tinsel / Stranded Copper Contact type A	Solid Wire Contact type B	Solid Wire Contact type C	Tinsel / Stranded Copper Contact type A	Solid Wire Contact type B	Solid Wire Contact type C
8/2	6888 - T821	6888 - T825	6888 - T820	6888 - T823	6888 - T827	6888 - T829
8/4	6888 - T841	6888 - T845	6888 - T840	6888 - T843	6888 - T847	6888 - T849
8/6	6888 - T861	6888 - T865	6888 - T860	6888 - T863	6888 - T867	6888 - T869
8/8	6888 - T881	6888 - T885	6888 - T880	6888 - T883	6888 - T887	6888 - T889
8/8 (polariz.)	6888 - T882	6888 - T886	6888 - T8810	6888 - T884	6888 - T888	6888 - T8811
10/10	6888 - T101	6888 - T105	6888 - T100	6888 - T103	6888 - T107	6888 - T109

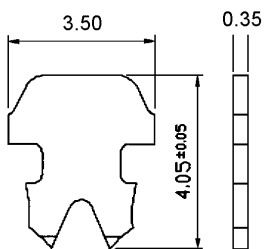


T = Contact Plating

- T = 4. 6μ" gold over 50μ" nickel
- T = 5. 15μ" gold over 50μ" nickel
- T = 6. 30μ" gold over 50μ" nickel
- T = 7. 50μ" gold over 50μ" nickel

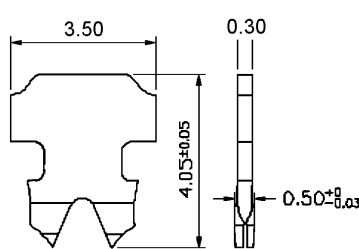


Contact type A



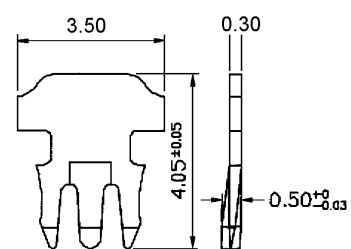
2 Perforation points

Contact type B



2 Perforation points

Contact type C



3 Perforation points