

MODULAR COUPLER JACK



6896 SERIES. Available Shielded and Unshielded

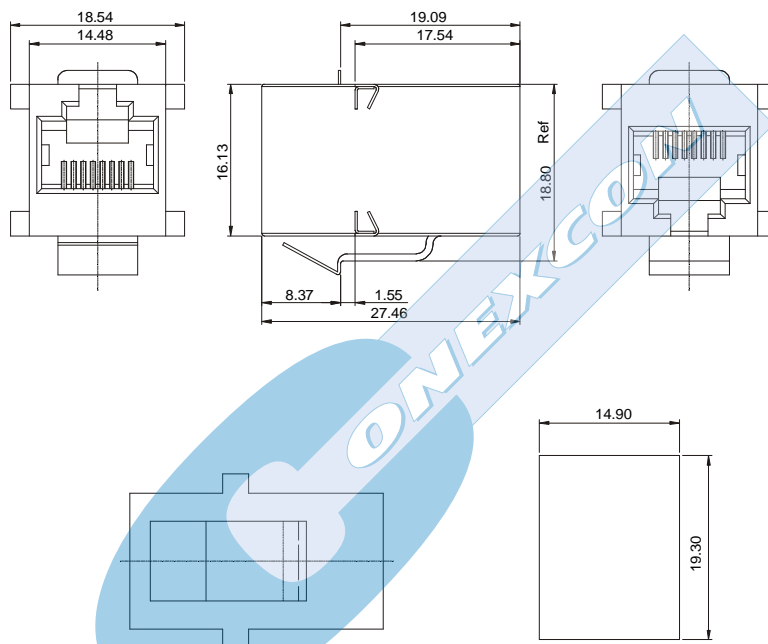
Features

- Available in 6/4, 6/6, 8/8 and 10/10 circuits
- Mates with FCC-68 modular plugs
- Contact: 0.35 mm thickness, Gold plating over nickel
- Insulator Material: Glass filled polyester UL 94V-0
- Shielded: Stainless steel
- Standard colour: Black
- Available Shielded or Unshielded

Dimensional Information

Ordering and Dimensional Information

Circuit Size	Part Number	
	Unshielded	Shielded
6/4	6896 – 5641	6896 – 5642
6/6	6896 – 5661	6896 – 5662
8/8	6896 – 5881	6896 – 5882
10/10	6896 – 5101	6896 – 5102



Recommended Hole Pattern