

7.50/5.00mm RIGHT ANGLE HEADER

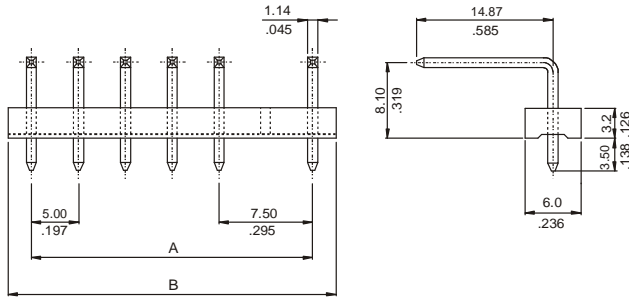


7503 SERIES. 7.50–5.00mm(0.295"–0.197"). For PCB Solder

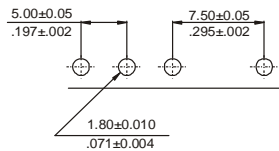
Features

- Available in 2 through 15 circuits
- Different pin length and plating options are available
- Insulator Material: Nylon 6/6 UL 94V-0
- 1.14mm(.045") square pin in tinned brass
- Mates with 7500 series socket

Dimensional Information



RECOMMENDED HOLE PATTERN



Ordering and Dimensional Information

Circuit Size	Part Number	Dimensions	
		A	B
02	7503-2021	7,50(0,295)	12,50(0,492)
03	7503-2031	12,50(0,492)	17,50(0,689)
04	7503-2041	17,50(0,689)	22,50(0,886)
05	7503-2051	22,50(0,886)	27,50(1,083)
06	7503-2061	27,50(1,083)	32,50(1,280)
07	7503-2071	32,50(1,280)	37,50(1,476)
08	7503-2081	37,50(1,476)	42,50(1,673)
09	7503-2091	42,50(1,673)	47,50(1,870)
10	7503-2101	47,50(1,870)	52,50(2,067)
11	7503-2111	52,50(2,067)	57,50(2,264)
12	7503-2121	57,50(2,264)	62,50(2,461)
13	7503-2131	62,50(2,461)	67,50(2,657)
14	7503-2141	67,50(2,657)	72,50(2,854)
15	7503-2151	72,50(2,854)	77,50 (3,051)

7.50/5.00mm POLARISED R / ANGLE HEADER

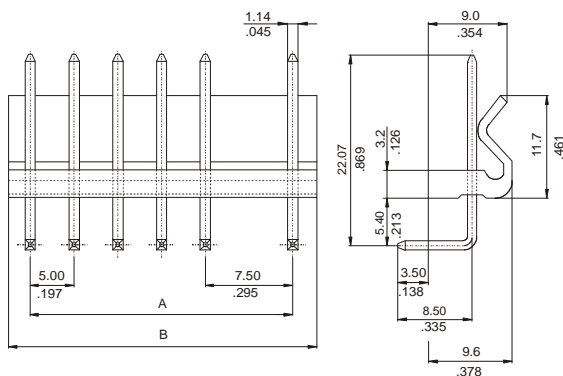


7504 SERIES. 7.50–5.00mm(0.295"–0.197"). Square pin. For PCB Solder

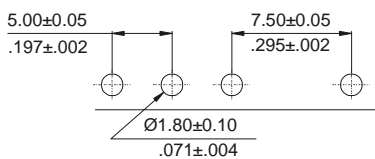
Features

- Available in 2 through 15 circuits
- Different pin length and plating options are available
- Insulator Material: Nylon 6/6 UL 94V-0
- Polarisation moulded friction lock
- 1.14mm(.045") square pin in tinned brass
- Mates with 7500 series socket

Dimensional Information



RECOMMENDED HOLE PATTERN



Ordering and Dimensional Information

Circuit Size	Part Number	Dimensions	
		A	B
02	7504-2021	7,50(0,295)	12,50(0,492)
03	7504-2031	12,50(0,492)	17,50(0,689)
04	7504-2041	17,50(0,689)	22,50(0,886)
05	7504-2051	22,50(0,886)	27,50(1,083)
06	7504-2061	27,50(1,083)	32,50(1,280)
07	7504-2071	32,50(1,280)	37,50(1,476)
08	7504-2081	37,50(1,476)	42,50(1,673)
09	7504-2091	42,50(1,673)	47,50(1,870)
10	7504-2101	47,50(1,870)	52,50(2,067)
11	7504-2111	52,50(2,067)	57,50(2,264)
12	7504-2121	57,50(2,264)	62,50(2,461)
13	7504-2131	62,50(2,461)	67,50(2,657)
14	7504-2141	67,50(2,657)	72,50(2,854)
15	7504-2151	72,50(2,854)	77,50 (3,051)