

# SIDE ENTRY LOW PROFILE PCB TYPE JACK

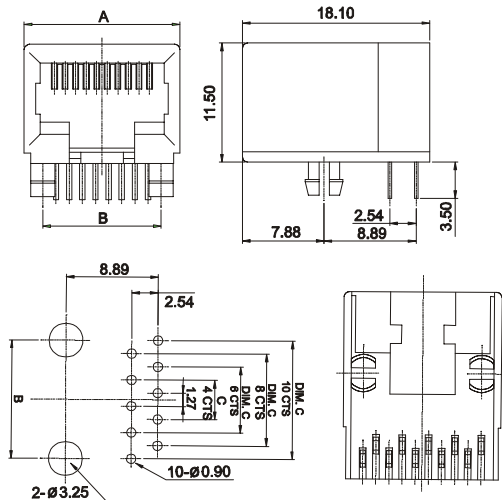


## 7620 SERIES. For PCB Solder

### Features

- Available in 4/4, 6/4, 6/6, 8/8 and 10/10 circuits
- Insulator Material: Glass filled polyester UL 94V-0
- Contacts: Golden phosphor Bronze of 0.35 X 0.45mm
- Low profile
- Gold plating over nickel in Contact Area
- Tin plating over nickel in solder area
- Mates with FCC-68 modular plugs
- Optional: 4/2 and 6/2 circuits

### Dimensional Information



### Ordering and Dimensional Information

Circuit Size	Part Number	Dimensions		
		A	B	C
4/4	<b>7620 – T441</b>	11.21 (0.442)	7.62 (0.300)	3.81 (0.150)
6/4	<b>7620 – T641</b>	12.96 (0.511)	10.16 (0.400)	6.35 (0.250)
6/6	<b>7620 – T661</b>	12.96 (0.511)	10.16 (0.400)	6.35 (0.250)
8/8	<b>7620 – T881</b>	15.24 (0.600)	11.43 (0.450)	8.89 (0.350)
10/10	<b>7620 – T101</b>	15.24 (0.600)	11.43 (0.450)	11.43 (0.450)

### T = Contact Plating

- T = 4. 6 $\mu$ " gold over 50 $\mu$ " nickel
- T = 5. 15 $\mu$ " gold over 50 $\mu$ " nickel
- T = 6. 30 $\mu$ " gold over 50 $\mu$ " nickel
- T = 7. 50 $\mu$ " gold over 50 $\mu$ " nickel