

LOW PROFILE SIDE ENTRY PCB JACK



7636 SERIES. For PCB solder. Low Profile Side Entry PCB Jack

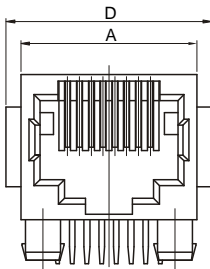
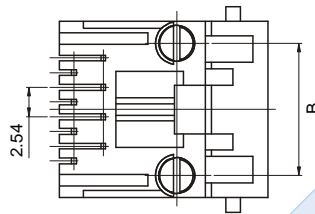
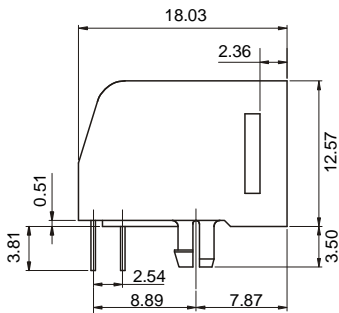
Features

- Available in 6/2, 6/4, 6/6, 8/6, 8/8 and 10/10 circuits
- Insulator Material: Glass filled polyester UL 94V-0
- Contacts: Golden phosphor bronze 0.35 mm thickness
- Available with or without panel stop
- Gold plating over nickel in Contact Area.
- Tin plating over nickel in Solder Area
- Mates with FCC-68 modular plugs
- Available version 10/10 with key (Part Number: **7636-T103**)

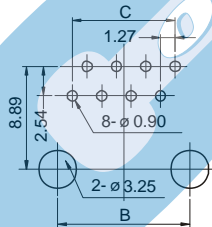
Dimensional Information

Ordering and Dimensional Information

Circuit Size	Part Number		Dimensions			
	With Panel Stop	W/O Panel Stop	A	B	C	D
6/2	7636 – T621	7636 – T622	13.21(0.520)	10.16 (0.400)	1.27 (0.050)	15.74 (0.620)
6/4	7636 – T641	7636 – T642	13.21(0.520)	10.16 (0.400)	3.81(0.150)	15.74 (0.620)
6/6	7636 – T661	7636 – T662	13.21(0.520)	10.16 (0.400)	6.35 (0.250)	15.74 (0.620)
8/6	7636 – T861	7636 – T862	15.24 (0.600)	11.43 (0.450)	6.35 (0.250)	17.78 (0.700)
8/8	7636 – T881	7636 – T882	15.24 (0.600)	11.43 (0.450)	8.89 (0.350)	17.78 (0.700)
10/10	7636 – T101	7636 – T102	15.24 (0.600)	11.43 (0.450)	8.89 (0.350)	17.78 (0.700)

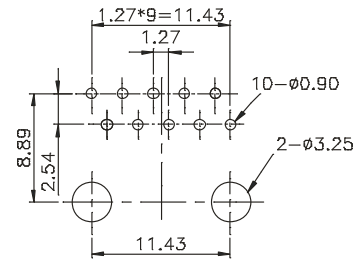
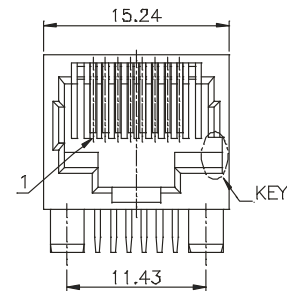


MECANIZADO RECOMENDADO



T = Contact Plating

- T = 4.6 μ" gold over 50 μ" nickel
- T = 5.15 μ" gold over 50 μ" nickel
- T = 6.30 μ" gold over 50 μ" nickel
- T = 7.50 μ" gold over 50 μ" nickel



Version 10/10 whit Key: **7636-T103**

